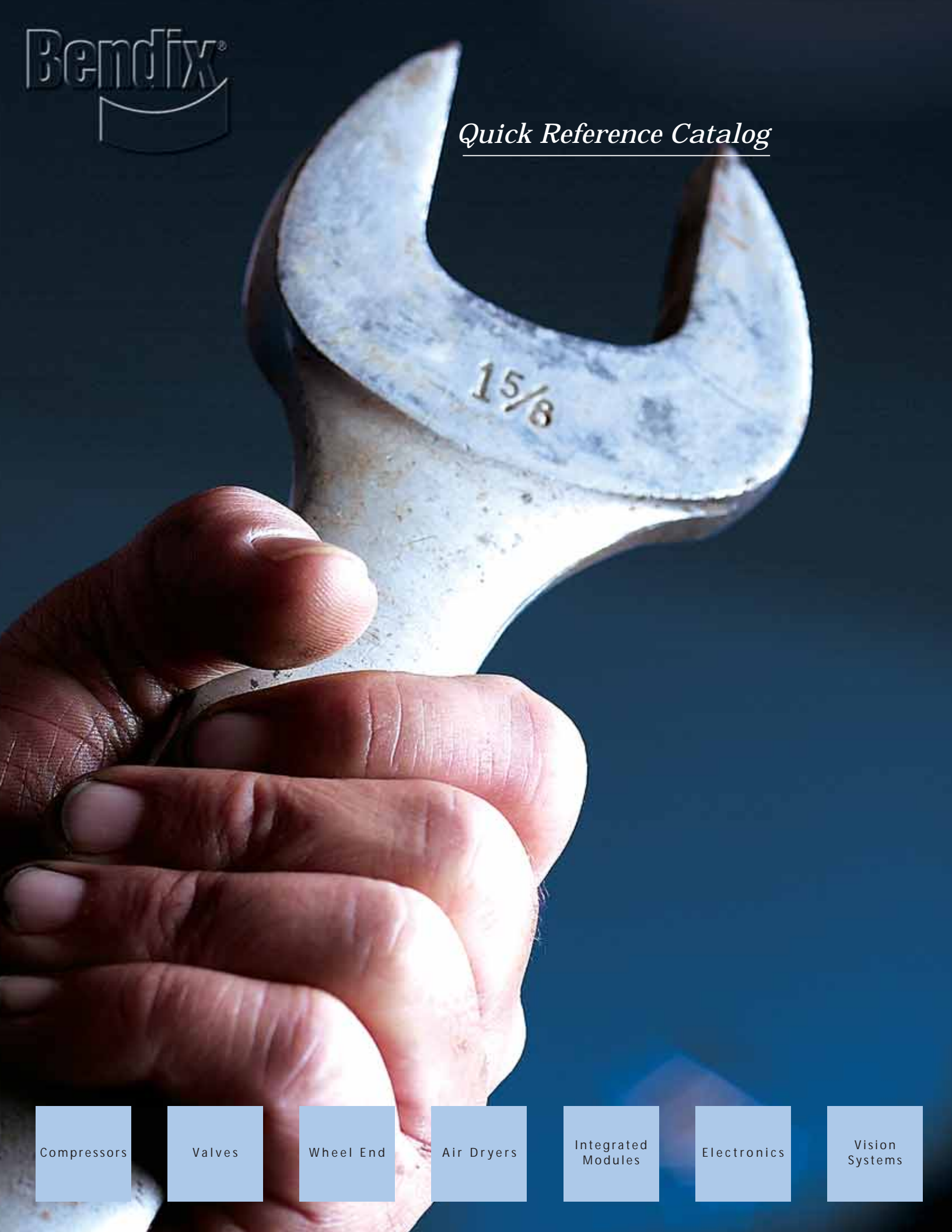




*Quick Reference Catalog*



Compressors

Valves

Wheel End

Air Dryers

Integrated  
Modules

Electronics

Vision  
Systems

**Some guys use cheap parts and  
never have a breakdown.**

**Of course, some guys actually  
talk their way out of speeding tickets.**



Some guys are just lucky. For the rest of us, there's Genuine Bendix. Every Genuine Bendix part is rigorously tested, backed by a powerful warranty and engineered to keep your brake system in spec. And, we stand right behind you with our 100% ASE-certified service team and an extensive network ready to respond, whenever and wherever you need us. So the question is: Do you want to be lucky, or do you want to be sure? For more information about Genuine Bendix valves, compressors, air dryers, wheel end components and more, call 1-800-AIR-BRAKE (1-800-247-2725) or visit [www.bendix.com](http://www.bendix.com).



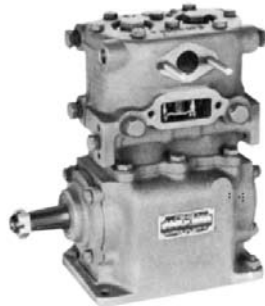
Product Group	Page	Product Group	Page
<b>01 Compressors &amp; Governors</b>		<b>05 Slack Adjusters</b>	
Compressors . . . . .	4-8	SureStroke™ Indicator . . . . .	40
Inlet Check Valve . . . . .	8	Manual . . . . .	41
Safety Valves, Governors & Gaskets . . . . .	9, 10, 37	ASA-5™, Yoke Adapters . . . . .	42
Inlet Regulating Valve, Air Strainers . . . . .	9	Service Piece Numbers . . . . .	43
Compressor Changeover . . . . .	11	<b>06 Indicating &amp; Warning Devices</b>	
<b>02 Actuators</b>		DS-1™, DS-2™, TE-1™ . . . . .	44
Brake Chambers, Rotochambers, Spring Brakes, Diaphragms, Springs, Yoke Assy. . . . .	12-13	SL-3™, SL-4™, SL-5™ . . . . .	45
<b>03 Air System Components</b>		LP-2™, LP-3™ . . . . .	46
<b>Brake Valves</b>		Air Horn Kits . . . . .	47
E-2™, E-3™, E-5™ . . . . .	14	<b>07 Tubing &amp; Fittings</b>	
E-8P™, E-10P™, E-10PR™, E-12™, E-14™, E-15™ . . . . .	15	C-5™ Cut-Out Cock, Drain Cock, DV-2™ . . . . .	48
E-7™ . . . . .	16	Tubing & Tubing Clamps . . . . .	49
E-6™, E-10™, BVA-85™ . . . . .	17	Tubing Inserts, Nylon Tubing . . . . .	49
TC-2™, TC-6™, TC-7™ . . . . .	18	Tubing Fittings . . . . .	49-54
<b>Inversion Valves</b>		Reducer Bushings . . . . .	52
TR-2™, TR-3™ . . . . .	19	<b>Air Brake Hose</b>	
<b>Pressure Protection Valves</b>		Hose, Hose Assy., Hose Fittings & Suspension Spring . . . . .	55-57
PR-2™, PR-4™ . . . . .	20	Hose Couplings, Dummy Couplings . . . . .	57-58
<b>Check Valves</b>		<b>08 Air Dryers</b>	
Double . . . . .	20	PuraGuard® . . . . .	58
Single, Right Angle Check Valves . . . . .	21	AD-9™, AF-3™ . . . . .	59
<b>Quick Release Valves</b>		AD-4™, AD-SP™ . . . . .	60
QR-L™ . . . . .	21	AD-IP™ . . . . .	61
QRN-2™, QR-1™, QRN™ . . . . .	22	AD-IS® . . . . .	62-63
QR-1C™, LQ-2™, LQ-4™ . . . . .	23	AD-2™ . . . . .	64
LQ-5™, BP-1™, BP-R1™ . . . . .	24	EverFlow™ Air Dryer Module . . . . .	65
<b>Control Valves</b>		Trailer System-Guard . . . . .	65
PP-1™, PP-2™, PP-3™ . . . . .	25	<b>09 Fan Clutch</b>	
PP-5™, PP-7™, E-Z-Grip® Soft Button Cover . . . . .	26	FD-1™, FD-L™, TorqueMaster® FD-3™ Air Conditioning Override Kits, Fan Clutch Controls Kits . . . . .	66
PP-8™, PP-DC™ . . . . .	27	<b>13 AntiLock</b>	
RD-3™, MV-2™ . . . . .	28	WS-24™ Wheel Speed Sensor . . . . .	67-69
MV-3™, TC-4™ . . . . .	29	EC-30™ Controller . . . . .	70
TW-1™, TW-2™, TH-3™ . . . . .	30	M-32™ & M-32QR™ Modulator . . . . .	71
TW-3™, TW-4™, TW-11™, SV-1™ . . . . .	31	Truck, Bus, Coach . . . . .	71-72
<b>Relay Valves</b>		<b>15 Electronics</b>	
R-6™, R-8™, R-8P™ . . . . .	32	ET-2™, ET-S2™ . . . . .	73
R-12™, R-12P™ . . . . .	33	<b>19 Safety &amp; Comfort</b>	
R-12DC™ . . . . .	34	XVision® . . . . .	74
R-14™, RE-6™, RE-6NC™, HR-1™ . . . . .	35	<b>23 Air Disc Brake</b>	
<b>Safety Valves</b>		ADB 22X™ . . . . .	75
ST-3™ & ST-4™ . . . . .	37	ESD 225™ . . . . .	76
<b>Spring Brake Valves</b>		<b>98 Autobrake Retrofit Kit</b>	
SR-1™, SR-2™, SR-4™ . . . . .	36	SBI-1™ . . . . .	77
SR-5™, SR-7™ . . . . .	37	<b>Sales Promotions and Training Materials</b>	
R-7™ Modulating Valve . . . . .	38	<b>Order Guide</b> . . . . .	78-79
<b>Tractor Protection Valves</b>		<b>100 Typical Air Systems</b> . . . . .	80-81
TP-3™, TP-4™, TP-5™ . . . . .	38, 39		
TP-3DC™ . . . . .	38		
<b>Valve Changeover</b> . . . . .	40		

## Section I: Compressor Sizes

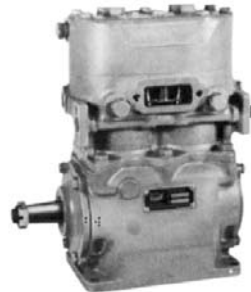
**BX-2150™ Compressor**  
9.5 CFM AT 1250 RPM



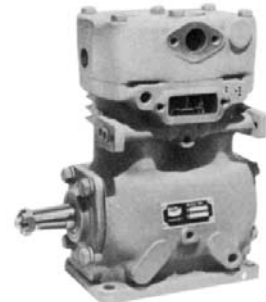
**Tu-Flo® 400 Compressor**  
7.25 CFM AT 1250 RPM



**Tu-Flo® 500 Compressor**  
12 CFM AT 1250 RPM



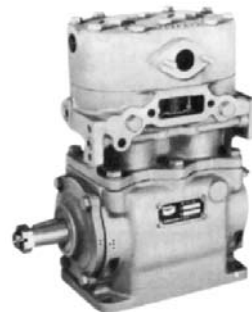
**Tu-Flo® 501 Compressor**  
12 CFM AT 1250 RPM



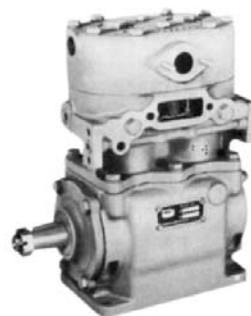
**Tu-Flo® 550 Compressor**  
13.2 CFM AT 1250 RPM



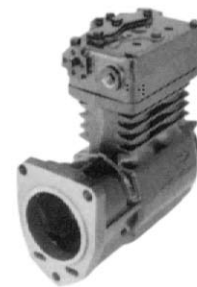
**Tu-Flo® 600 Compressor**  
14.5 CFM AT 1250 RPM



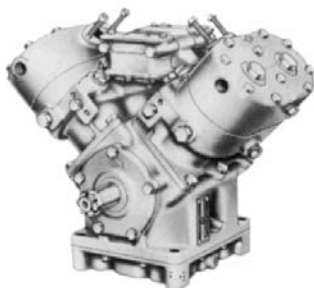
**Tu-Flo® 700 Compressor**  
15.5 CFM AT 1250 RPM



**Tu-Flo® 750 Compressor**  
16.5 CFM AT 1250 RPM



**Tu-Flo® 1000 Compressor**  
24 CFM AT 1250 RPM



**Tu-Flo® 1400L Compressor**  
31 CFM AT 1250 RPM



**DuraFlo™ 596 Compressor**  
27 CFM AT 1250 RPM



**BA-921® Compressor**  
15.8 CFM AT 1250 RPM



- Compressor information in this catalog is divided into three (3) sections. Section I - displays various compressors in the Bendix product line. Section II - contains a series of charts depicting the most popular engine/compressor combinations and the appropriate mounting flange. Section III - shows compressor maintenance kit information.
  - Bendix air compressors are designed to meet a wide range of vehicle needs.
  - Several sizes and various mounting configurations are available.
  - Compressors are available remanufactured exchange.
- V.M.R.S. 13-009-000

Part No.	Description
5008558	Cylinder Head Gasket Kit
5008557	Unloader Kit
5008561	Governor Adapter Kit
5008559	Compressor Seal Kit
5012367	CAT MD Seal Kit
5012369	CAT HD Seal Kit
5012371	Series 60 Seal Kit

## Section II Compressors

Flanges	Engines	Remanufactured Exchange Compressors						
		Tu-Flo® 500 Compressor	Tu-Flo® 501 Compressor	Tu-Flo® 700** Compressor	Tu-Flo® 1400 Compressor	Tu-Flo® 550 Compressor	Tu-Flo® 750 Compressor	
	Caterpillar 3406	—	286546X	289349X	—	—	—	
	Caterpillar 3406B	—	103274X	103278X	104583X	107509X	107508X	
	Caterpillar 3408	—	286552X	—	—	—	—	
	Mack 6 Cylinder See Bulletin PRO-01-7 for Mack c/o Caterpillar 3116	284662X	286544X 286620X	289340X	— 104584X	107511X	107510X	
	Mack 8 Cylinder	—	286574X 286621X	289348X	—	—	107869X	
		Cummins NH, NTC, KT, KTA Series Engines See Bulletin PRO-01-2	284718X* 284699X	286618X* 286554X	289339RX	—	107506X	107507X
		Series 60 Detroit Diesel 0° Tilt	—	286619X❶	106780X❶	—	107622X❶	107623X❶
		Detroit Diesel 0° Tilt	276962RX	286539X	289941X	108779X	107513X	107512X
	Detroit Diesel 45° Tilt	285252X	—	101158X	—	—	—	

❶ Series 60 Compressors must be replaced with Series 60 Compressors only. Failure to do so will result in compressor damage.

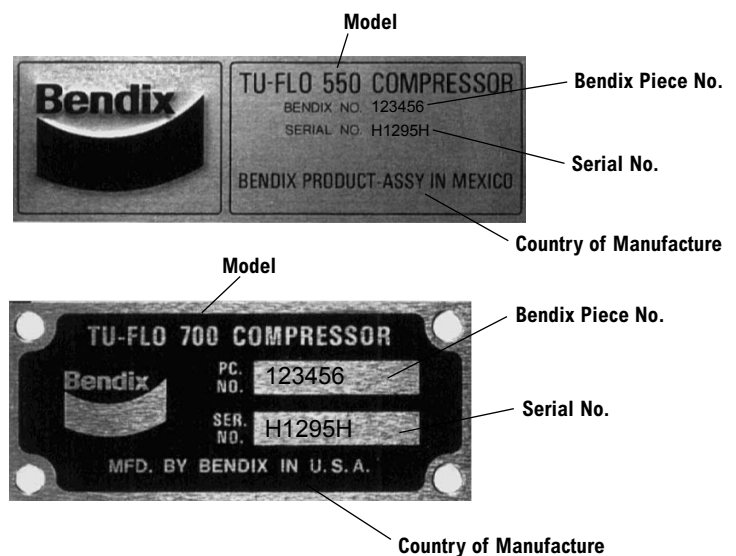
\*Top Discharge - Cylinder Head

\*\*Tu-Flo® 700 Compressor Cylinder Head incorporates both side & top discharge

## Section III Compressor Nameplates

A nameplate is attached to the crankcase of all compressors. It displays the model, piece number (PC. NO.) and serial number (SER. NO.). When making reference to a particular part compressor use the piece number (PC. NO.) stamped on the nameplate.

The serial number is interpreted as follows: First is an alpha character (A through M skipping the letter I) representing January through December. The next four characters are numbers representing the day of the month followed by the year (two digits for each). The sixth and last character represents the manufacturing plant. For example serial number H1295H indicates the product was manufactured on August 12, 1995 in the Huntington, Indiana facility.





## Compressor Maintenance and Service Kits

	U-7 1/4 Compressor	E-12" & F-12" Compressor	BX-2150" Compressor	Tu-Flo® 300 Compressor	Tu-Flo® 400 Compressor	Tu-Flo® 500 Compressor	Tu-Flo® 501 Compressor
<b>NUMBER OF CYLINDERS</b>	2	2	1	2	2	2	2
<b>FIELD MAINT. KIT</b>	NA	NA	108848N 109356 (CAT)	229415N	229416	229417N	287043N
<b>UNLOADER KIT</b>	NA	NA	108847N	279613N	279614	279615N	279615N
<b>GASKET SET</b>	NA	NA	NA	NA	280511	280512N	101558
<b>PISTON RING SETS</b> (3) = 3 ring piston (4) = 4 ring piston (5) = 5 ring piston Unless otherwise indicated one piston ring set services the entire compressor.							
Standard Size	226721N	225514	104045	226778N	226721N (4) 289603N (3)	225514	106105N (5)
.010 O.S.	226722N	225515N	104046	226779	226722N (4) 289604 (3)	225515N	106106 (5)
.020 O.S.	226723N	225516N	104047	226780	226723N (4) 289605 (3)	225516N	106107 (5)
.030 O.S.	226724	225517N	104048	226781	226724 (4) 289606 (3)	225517N	106108 (5)
.040 O.S.	NA	NA	NA	NA	NA	NA	5005216
<b>PISTON AND WRIST PIN KITS</b> (5) = 5 ring piston * These piston and wrist pin kits have a selected fit. A set contains one piston & one pin. All other piston & wrist pin kits have a non-selected fit and each kit contains one piston, one wrist pin & two wrist pin buttons.							
Standard Size	NA	NA	104049	225704N*	289438N	289928N	106109N (5)
.010 O.S.	NA	NA	104050N	226630*	289439N	289929N	106110N (5)
.020 O.S.	NA	NA	104051	226631*	289440N	289930N	106111N (5)
.030 O.S.	NA	NA	104052	226632*	289441	289931N	106112N (5)
.040 O.S.	NA	NA	NA	NA	NA	NA	5005217
<b>ALUMINUM CONNECTING RODS</b> (services 1 connecting rod)							
Without Inserts	229083	NA	NA	NA	229083	NA	NA
With Std. Inserts	229082N	NA	102398RX (Std.) 107465RX (.010 O.S.) 107466RX (.020 O.S.)	227479 (Std.)	229082N	NA	NA
<b>STEEL CONNECTING RODS</b> (services 1 connecting rod)							
Without Inserts	NA	229085	NA	NA	NA	229085	286258
With Std. Inserts	NA	NA	NA	NA	NA	NA	286259
<b>CONNECTING ROD INSERT KIT</b> (services 1 connecting rod)							
Standard Size	282763N	282767N	NA	NA	282763N	282767N 287062N(M)	286254N 287058N(M)
.010 O.S.	282764N	282768N	NA	NA	282764N	282768N 287063(M)	286255N 287059N(M)
.020 O.S.	282765N	282769N	NA	NA	282765N	282769N 287064(M)	286256N 287060N(M)
.030 O.S.	282766N	282770N	NA	NA	282766N	282770N	286257N 287061N(M)
.040 O.S.	NA	NA	NA	NA	NA	NA	5005218 5005219(M)
<b>PISTON, RINGS &amp; CONN. ROD KIT</b> (services the entire compressor)	NA	NA	NA	NA	NA	NA	NA
<b>CRANKSHAFT BEARING KIT</b>	NA	NA	NA	NA	NA	NA	NA

(M) For Mack style compressors with power steering driven by the compressor crankshaft.

NA - Not Available



## Compressor Maintenance and Service Kits

	Tu-Flo® 550 Compressor	Tu-Flo® 600 Compressor	Tu-Flo® 700 Compressor	Tu-Flo® 750 Compressor	Tu-Flo® 1000 Compressor	Tu-Flo® 1400 Compressor
<b>NUMBER OF CYLINDERS</b>	2	2	2	2	4	4
<b>FIELD MAINT. KIT</b>	107516N	229417N	289998N	107516N	229417N (2 req'd.)	104592
<b>UNLOADER KIT</b>	107515N	279615N	279615N	107515N	279615N (2 req'd.)	279615N (2 req'd.)
<b>GASKET SET</b>	NA	101559	101559	NA	NA	NA
<b>PISTON RING SETS</b> (3) = 3 ring piston (4) = 4 ring piston (5) = 5 ring piston Unless otherwise indicated one piston ring set services the entire compressor.						
Standard Size	107639N	282525N (5)	282525N	5005361	288646	282525N (2 req'd.)
.010 O.S.	107640	282526N (5)	282526N	5005362	288647N	282526N (2 req'd.)
.020 O.S.	107641	282527N (5)	282527N	5005363	288648	282527N (2 req'd.)
.030 O.S.	107642	282528N (5)	282528N	5005364	288649	282528N (2 req'd.)
<b>PISTON AND WRIST PIN KITS</b> (5) = 5 ring piston * These piston and wrist pin kits have a selected fit. A set contains one piston & one pin. All other piston & wrist pin kits have a non-selected fit and each kit contains one piston, one wrist pin & two wrist pin buttons.						
Standard Size	107647	289891N	289891N	107643	289928N	289891N
.010 O.S.	107648	289892N	289892N	107644	289929N	289892N
.020 O.S.	107649	289893	289893N	107645	289930N	289893N
.030 O.S.	107650	289894	289894N	107646	289931N	289894N
<b>ALUMINUM CONNECTING RODS</b> (services 1 connecting rod)						
Without Inserts	NA	NA	NA	NA	NA	NA
With Std. Inserts	NA	NA	NA	NA	NA	NA
<b>STEEL CONNECTING RODS</b> (services 1 connecting rod unless otherwise noted)						
Without Inserts	108841 (serv. 2)	229085	229085	108841 (serv. 2)	289029	229085
With Std. Inserts	NA	NA	NA	NA	NA	NA
<b>CONNECTING ROD INSERT KIT</b> (services 1 connecting rod unless otherwise noted)						
Standard Size	107651 (serv. 2)	282767N 287062N(M)	282767N	107651 (serv. 2)	282751N	282767N
.010 O.S.	107652 (serv. 2)	282768N 287063(M)	282768N 287063(M)	107652 (serv. 2)	282752N	282768N
.020 O.S.	107653 (serv. 2)	282769N 287064(M)	282769N 287064(M)	107653 (serv. 2)	282753N	282769N
.030 O.S.	107654 (serv. 2)	282770N	282770N	107654 (serv. 2)	282754N	282770N
<b>PISTON, RINGS &amp; CONN. ROD KIT</b> (services the entire compressor)	108843 (std.) 5000334 (.010 O.S.) 5000333 (.020 O.S.) 5000332 (.030 O.S.)	NA	NA	108842N (std.) 5000331 (.010 O.S.) 5000330 (.020 O.S.) 5000329 (.030 O.S.)	NA	NA
<b>CRANKSHAFT BEARING KIT</b>	107969N	NA	NA	107969N	NA	NA

(M) For Mack style compressors with power steering driven by the compressor crankshaft.

NA - Not Available

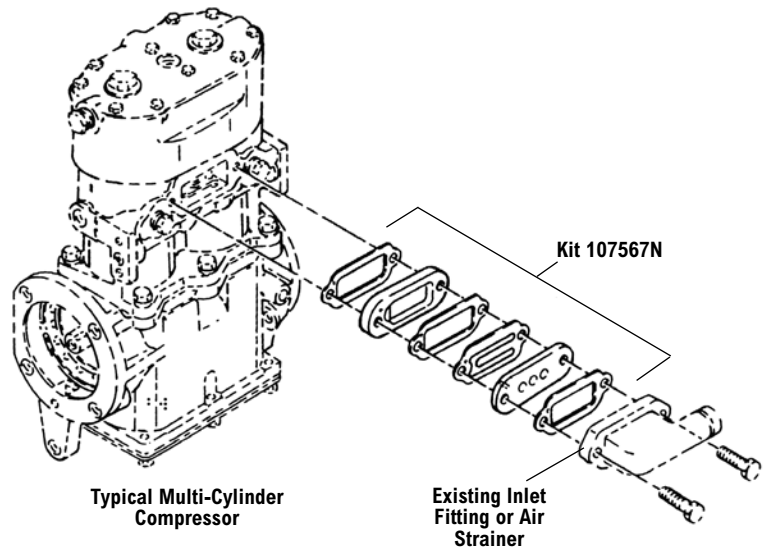
## Inlet Check Valve

The inlet check valve may be used on naturally aspirated compressors to prevent oil misting during the unloaded cycle. **Do Not** use the inlet check valve if the compressor inlet is connected to the pressure side of the supercharger or turbocharger.

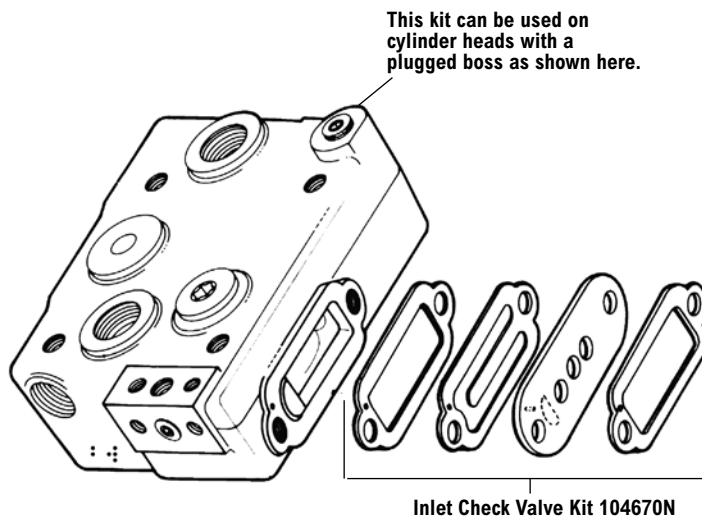
**Important:** Installation of the inlet check valve assembly **must** be as shown in all illustrations.

## Applications & Kits

Compressor	Kit	Comments
Tu-Flo® 300 Compressor	–	Not available for Tu-Flo® 300 Compressor
Tu-Flo® 400 Compressor	107567N	
BX-2150™ Compressor	See Illustration & Notes Below	
Tu-Flo® 500 Compressor	107567N	
Tu-Flo® 501 Compressor	107567N	
Tu-Flo® 550 Compressor	107567N	
Tu-Flo® 700 Compressor	107567N	
Tu-Flo® 750 Compressor	107567N	
Tu-Flo® 1000 Compressor	107567N	Two kits required
Tu-Flo® 1400 Compressor	107567N	Two kits required



## Inlet Check Valve Kit 104670N for BX-2150™ Compressor Cylinder Heads





## ST-4™ Safety Valve

V.M.R.S. 13-010-073

Service New Pc. No.	Used in Conjunction with	Pressure Setting	Thread	No. of Holes
131081	Tu-Flo® 550 & 750 Compressor	250 psi	1/2 NPT	1

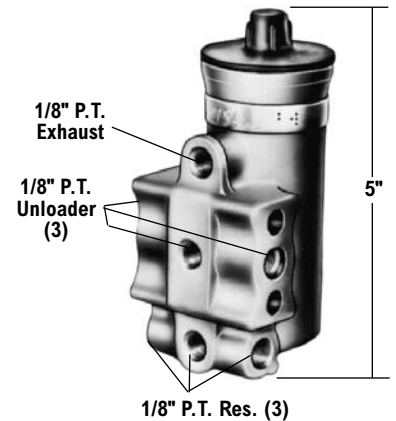


## D-2™ Governor

- Available Remanufactured Exchange
- Maintenance Kit With High Temperature O-Rings Pc. No. 280915
- Maintenance Kit With Standard O-Rings 276121N
- Operating cut-in and cut-out pressures are adjustable to O.E. equivalent pressures except non-adjustable

V.M.R.S. 13-010-018

Reman. Exch. Pc. No.	Service New Pc. No.	Pressure Range P.S.I.	Comments
-	065018	100-120	Non-Adjustable
-	275200N	90-105	-
275491RX	275491N	100-120	-
-	275508N	95-110	-
-	275530N	105-125	-
275707RX	275707N	105-125	-
-	277486N	110-130	-
-	283657N	115-135	-
284358RX	284358N	105-125	See Note 1
-	800361N	105-130	Non-Adjustable



1 Governor supplied with high temperature o-rings and waterproof cover

## Inlet Regulating Valve

Service New Pc. No.
104171N

Do not use on a BX-2150™ Compressor. Cannot be used on a Tu-Flo® 300 Compressor.



## Air Strainers



Air Strainer Kit Pc. No.	Service New Pc. No.
278500N	279901N

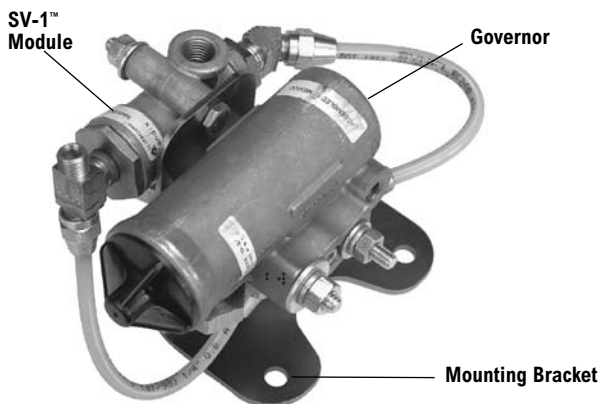
Kit includes air strainer & hardware. Cannot be used on a Tu-Flo® 300 compressor.



Air Strainer Kit Pc. No.	Service New Pc. No.
227785N	226469N

## D-2™/SV-1™ Module

Used in conjunction with the DuraFlo™ 596 Compressor.



Service New D-2™/SV-1™ Pc. No.	Type
5007116	Standard
5007404N	High Temperature w/unloader hose

## Gaskets



PC. NO. 243430N  
FOR ALL TU-FLO® COMPRESSORS  
EXCEPT TU-FLO® 300 COMPRESSOR



**42° Today**  
A mixture of clouds and sun.  
Wind: SW 8-16



**32° Tonight**  
Rain/snow showers.  
Wind: WNW 15-30



**31° 25° Wednesday**  
Increasing clouds; snow.  
Wind: SSW 10-20



**32° 17° Thursday**  
Cloudy with showers; snow.  
Wind: W 12-22



**27° 19° Friday**  
Cloudy; snow showers.  
Wind: WNW 15-30



**39° 33° Saturday**  
Breezy and milder; some sun.  
Wind: SW 12-24

GENUINE BENDIX

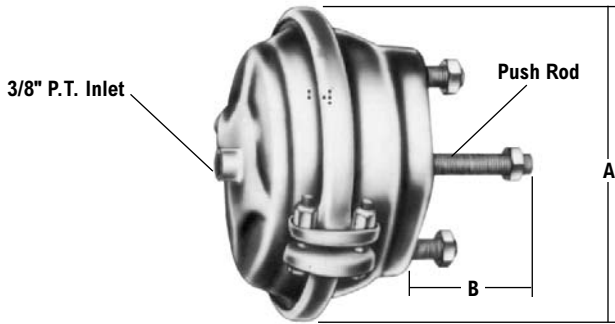
THE WEATHER IS UNPREDICTABLE. GENUINE BENDIX AIR DRYERS ARE ANYTHING BUT.

Other companies rebuild or attempt to duplicate Bendix air dryers, but none pay as much attention to quality as Bendix. Inferior workmanship and substandard parts reduce brake performance and increase the likelihood of component failure and costly breakdowns. Only Genuine Bendix air dryers meet our stringent testing procedures, which have set the industry standard for nearly 30 years. And only Genuine Bendix assures you the protection of our warranty plan. So you get quality and dependability you can count on. No matter what the weather.





## Brake Chambers



V.M.R.S. 13-010-034

Fully Threaded Push Rod

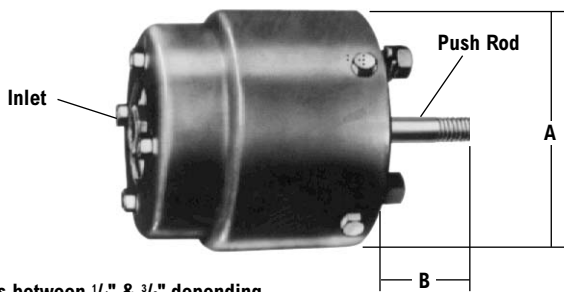
Brake Chamber Type	A Overall Diameter	B Push Rod Thd.	Standard		Weatherproof	
			Service New Pc. No. w/out Yoke	Push Rod Length	w/Boot w/Locknut-Less Yoke Pc. No.	Push Rod Length
9	5-1/4"	1/2-20	288789N	12"	288791	12"
12	5-5/8"	1/2-20	800822	8-1/2"	288798N	10-1/2"
16	6-1/2"	1/2-20	800823	8"	288801N	9"
20	6-3/4"	5/8-18	800824	8-3/16"	288806	10-1/2"
24	7-3/8"	5/8-18	800825	8"	288812	11"
30	8-1/4"	5/8-18	800826	7-7/8"	288817	13-3/8"
36	9-1/16"	5/8-18	800827	7-1/2"	288820	12"

## Rotochambers

V.M.R.S. 13-010-034

Fully Threaded Push Rod

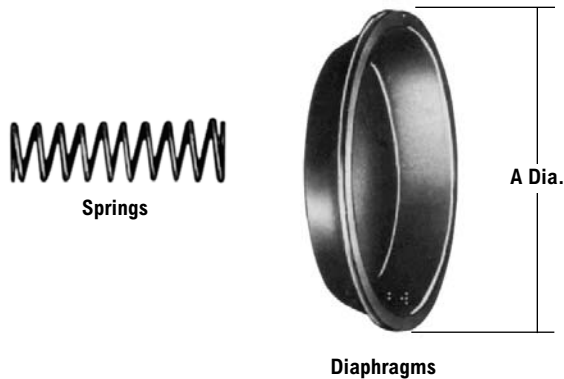
Note: Neoprene diaphragms are available



Inlet P.T. varies between 1/8" & 3/8" depending on chamber size & diaph. type.

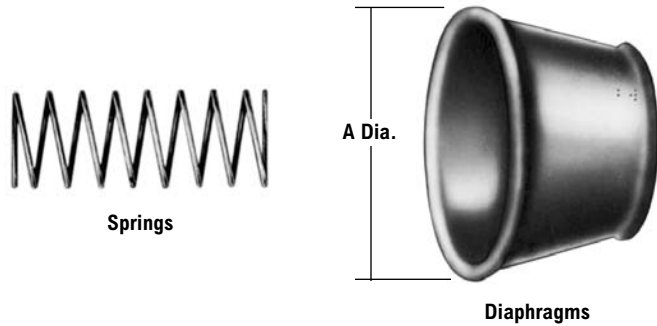
Roto Type	Weatherproof-w/Boot & Rubber Diaphragm Less Nut-Less Yoke	A Overall Diameter	B Push Rod Length	Push Rod Thd.
9	229814N	4-3/4"	13"	1/2-20
12	229815	5-9/32"	11"	1/2-20
16	229816N	5-7/8"	7-7/8"	1/2-20
20	229817N	6-13/32"	6-7/8"	1/2-20
24	229818N	6-15/16"	5-13/16"	1/2-20
30	229819N	7-17/32"	9-1/16"	5/8-18
36	229820N	8-5/32"	8-1/16"	5/8-18
50	229821N	9-13/32"	10-15/16"	3/4-16

## Brake Chamber Diaphragms & Springs Clamp Ring Type



Brake Chamber Type	Diaphragm Material and Size			Spring Pc. No.
	Rubber	Neoprene	A Dia.	
9	234433	236663	5"	234435
12	234226N	236664	5-15/32"	234229
16	234189N	236665	6-13/64"	234192
20	234099N	236666	5-19/32"	234129
24	234100N	236667	7"	234130
30	234101N	236668	7-7/8"	234131
36	234362N	236669	8-11/16"	234365

## Rotochamber Diaphragms & Springs

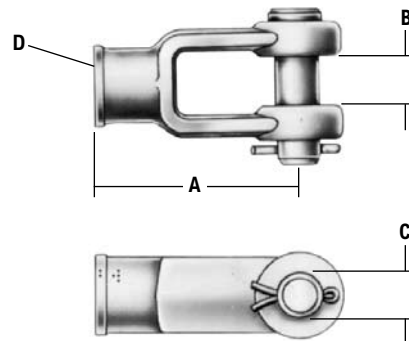


Rotochamber Type	Diaphragm Material and Size			Spring Pc. No.
	Rubber	Neoprene	A Dia.	
9	231472N	236524	4-5/16"	231481
12	231506	236525N	4-27/32"	231513
16	231525	236526	5-7/16"	231531
20	231928N	236527	5-31/32"	231933
24	231516N	236528	6-7/16"	231522
30	231543	236529	7-3/32"	231549
36	231534N	236530	7-21/32"	231540
50	231491N	236531N	8-29/32"	231498

## Yoke Assemblies

For Brake Chambers & Rotochambers

V.M.R.S. 13-004-018

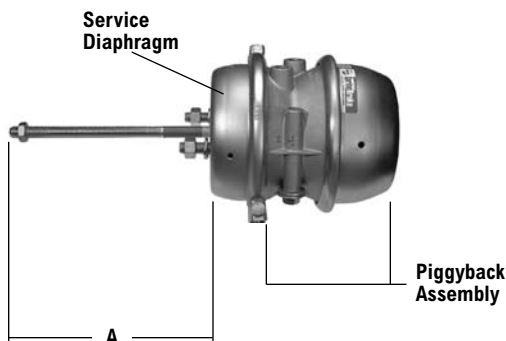


Yoke Assembly Pc. No.	A End to Pin	B Slot Width	C Pin Dia.	D Thread Size
205948N	1-3/4"	9/16"	1/2"	1/2-20
228790N	1-3/4"	9/16"	1/2"	5/8-18
228798N	1-3/4"	9/16"	5/8"	5/8-18
229496N	1-7/8"	13/16"	3/4"	5/8-18
282592N	2"	13/16"	3/4"	3/4-16

## Spring Brakes

Fully Threaded Push Rod

V.M.R.S. 13-010-025



Standard Piece No. w/yoke	Standard Piece No. w/o yoke	Type/ Size	Piggyback	Service Diaphragm	A
5007129	800828	T-20/24	5007123	234099N	7.8
5007130	800829	T-24/24	5007124	234100N	7.8
5007131	800830	T-24/30	5007125	234100N	7.8
5007132N	800831	T-30/30	*5007126	*234101N	7.8
5007133	800832	T-30/36	5007127	234101N	7.8
5007134N	800833	T-36/36	5007128	234362N	6.8

\*Included in Piggyback Springbrake Kit 5007610

Long Stroke Piece No. w/yoke	Long Stroke Piece No. w/o yoke	Type/ Size	Piggyback	Service Diaphragm	A
5010402	5010434	T-24/30	801376N	801378	7.8
5010414	5010435	T-30/30	801377N	801379	7.8

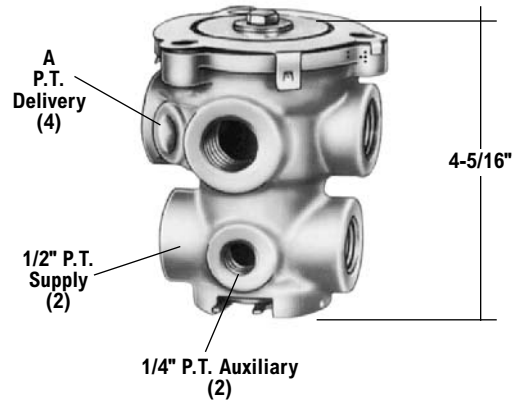
## E-2™ Brake Valve (Basic)

- Available Remanufactured Exchange
- Maintenance Kits
  - Pc. No. 276119N Minor Repair
  - Pc. No. 289324N Major Repair

Treadle and Mounting Plate  
Not Furnished. If Required, Refer To  
Master Parts Catalog

V.M.R.S. 13-010-019

Reman. Exch. Pc. No.	Service New Pc. No.	A Pipe Thread (Delivery)
229500RX	229500N	3/8"
229501RX	229501N	1/2"

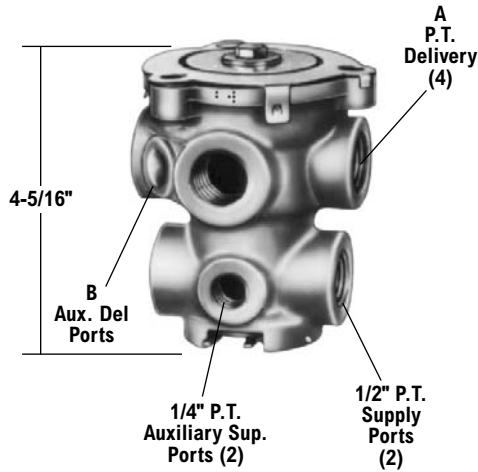


## E-3™ Brake Valve (Basic)

- Available Remanufactured Exchange
- Maintenance Kits
  - Pc. No. 276119N Minor Repair
  - Pc. No. 289329N Major Repair

Treadle and Mounting Plate  
Not Furnished. If Required Refer To  
Master Parts Catalog.

V.M.R.S. 13-010-019



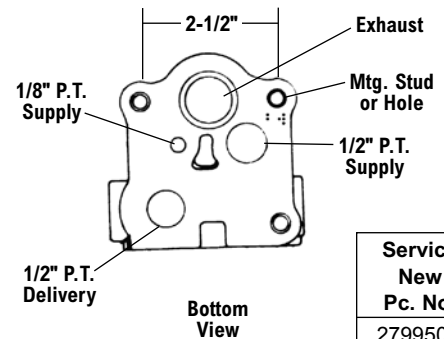
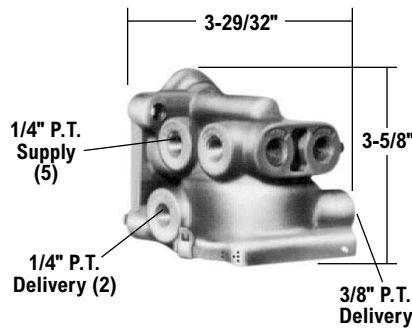
Reman. Exch. Pc. No.	Service New Pc. No.	A Pipe Thread (Delivery)	B Auxiliary Ports
277863RX	277863N	1/2"	NONE
278998RX	278998	1/2"	2-1/4"

## E-5™ Brake Valve (Basic)

- Available Remanufactured Exchange
- Maintenance Kits
  - Pc. No. 281084N Minor Repair
  - Pc. No. 289334N Major Repair

Pedal and Mounting Plate Not  
Furnished. If Required Refer To Master  
Parts Catalog.

V.M.R.S. 13-010-019



Service New Pc. No.
279950N





**E-8P™  
Brake Valve**



**E-10P™  
Brake Valve**

Service New E-8P™ Brake Valve	Replaces E-12™ Brake Valve	Comments
800629	065313, 800583	Lower Body Rotated 90°
800630	065458	Lower Body Rotated 90°
800631	065460, 800407	1/2 NPT Exhaust



**E-10PR™  
Brake Valve**

**E-10P™  
Basic  
Brake  
Valve**

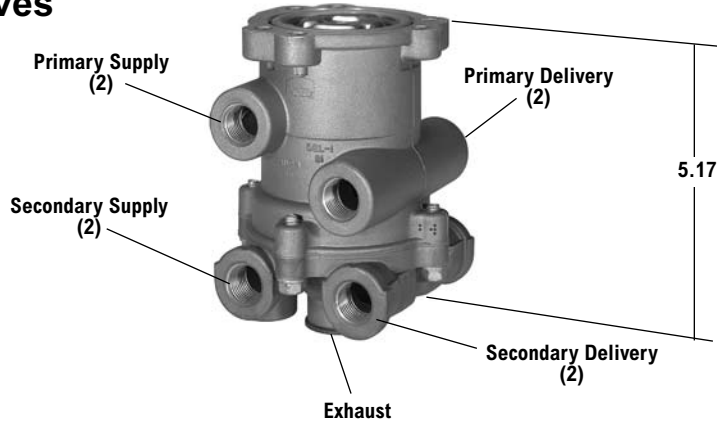
Service New E-10P™ Brake Valve	Replaces E-15™ Brake Valve
800632	065315
	800318

Service New E-10P™ Brake Valve	Replaces E-15R™ Brake Valve
800632	800319

## E-12™ & E-15™ Dual Brake Valves

- Maintenance Kit  
Pc. No. 108367 Minor

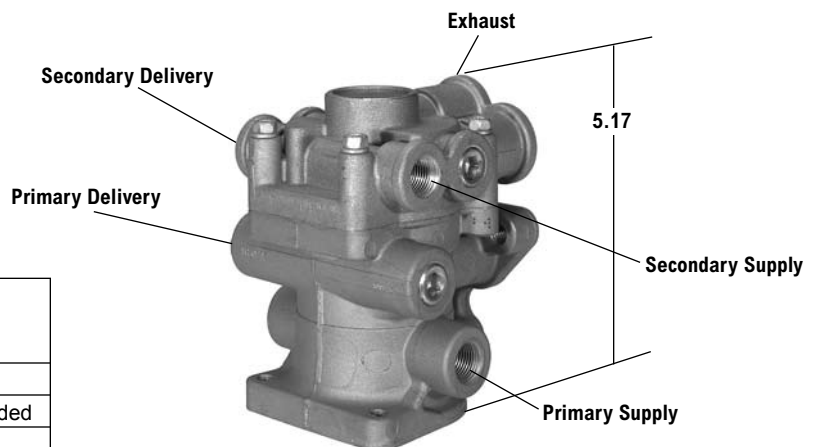
V.M.R.S. 13-010-051



## E-14™ Dual Brake Valve (Basic)

- Maintenance Kit  
Pc. No. 108367 Minor

V.M.R.S. 13-010-051



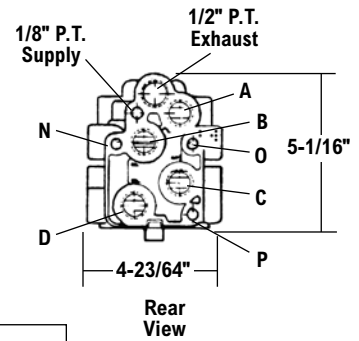
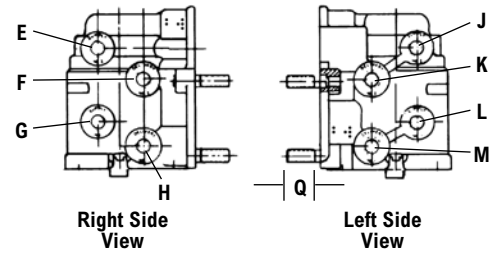
Service New Pc. No.	Comments
065314	—
065317	Exhaust Port Threaded
065395	Used with Manifold

## E-7™ Dual Brake Valve (Basic)

- Available Remanufactured Exchange
- Maintenance Kits
  - Pc. No. 289352N Minor Repair
  - Pc. No. 289353 Major Repair

Pedal and Mounting Plate Not Furnished. If Required Refer To Master Parts Catalog.

V.M.R.S. 13-010-051



Reman. Exch. Pc. No.	Service New Pc. No.	Port Thread Sizes & Locations												Mtg. Studs in Positions "N", "O" "P" Above	Stud Length Q	Stud Thread Size	
		A	B	C	D	E	F	G	H	J	K	L	M				
†284760RX	†284760N	No Thd	No Thd	No Thd	No Thd	1/4	-	1/4	-	-	-	-	-	-	No	-	-
286773RX	286773	1/2	1/2	1/2	1/2	1/4	1/4	1/4	1/4	1/4	1/4	1/4	1/4	1/4	Yes	1-1/2	3/8-24
286775RX	-	1/2	1/2	1/2	1/2	1/4	1/4	1/4	1/4	1/4	1/4	1/4	1/4	1/4	Yes	3/4	3/8-16
284711RX	287411N	1/2	1/2	1/2	1/2	1/4	1/4	1/4	1/4	3/8	3/8	3/8	3/8	No	-	-	
*287564RX	*287564N	1/2	1/2	1/2	1/2	1/4	3/8	1/4	3/8	1/4	1/4	1/4	1/4	Yes	15/16	3/8-16	
*288383RX	*288383N	1/2	1/2	1/2	1/2	1/4	1/4	1/4	1/4	1/4	1/4	1/4	1/4	No	-	-	

† Ford Basic Valve Kit: INCLUDES BASIC VALVE & 10 SEALING RINGS

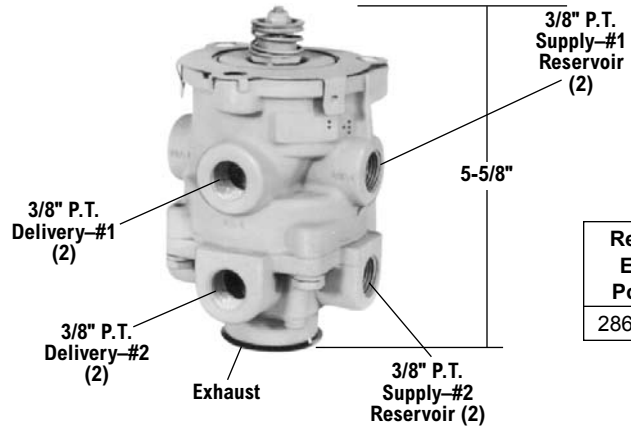
\* EXHAUST PORT CONTAINS DIAPHRAGM

## E-6™ Dual Brake Valve (Basic)

- Available Remanufactured Exchange
- Maintenance Kits
  - Pc. No. 287368N Minor Repair
  - Pc. No. 289335N Major Repair

Treadle and Mounting Plate Not Furnished.  
If Required Refer To Master Parts Catalog.

V.M.R.S. 13-010-051



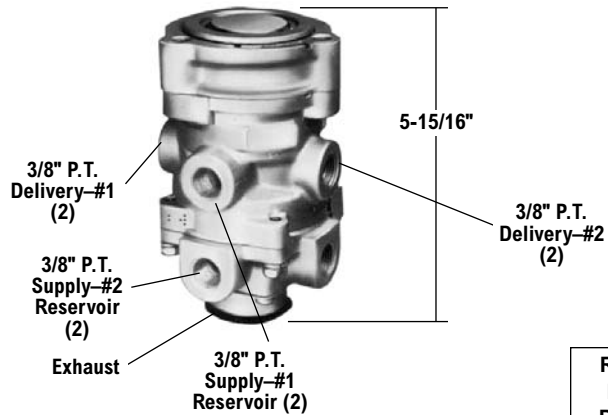
Reman. Exch. Pc. No.	Service New Pc. No.
286171RX	286171N

## E-10™ Dual Brake Valves (Basic)

- Maintenance Kit
  - Pc. No. 102100

Treadle and Mounting Plate Not Furnished.  
If Required, Refer to Master Parts Catalog.

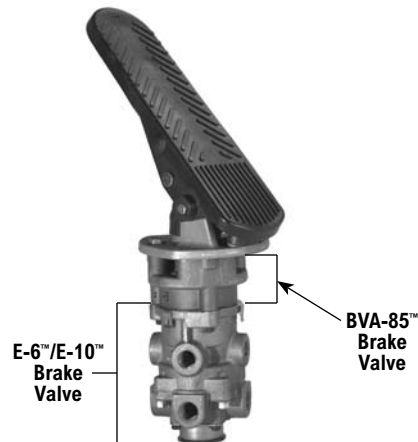
V.M.R.S. 13-010-051



Reman Exch. Pc. No.	Service New Pc. No.
101100RX	101100N

## BVA-85™ Brake Valve Actuator

Service New Pc. No.	Comments
5009593	Push to connect fittings
5009594	NPT Ports

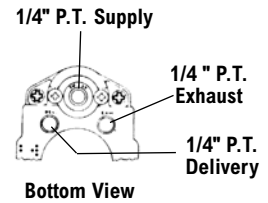
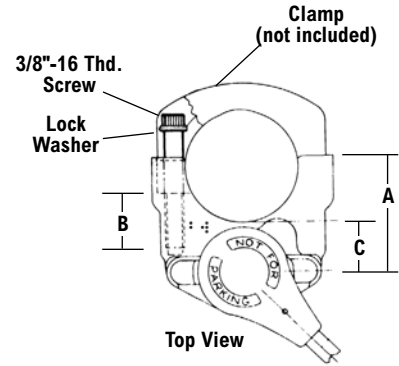


## TC-2™ Brake Valve (Basic)

- Available Remanufactured Exchange
- Maintenance Kit  
Pc. No. 276122

Handle - Not Furnished. If Required Refer To Master Parts Catalog.

V.M.R.S. 13-010-014



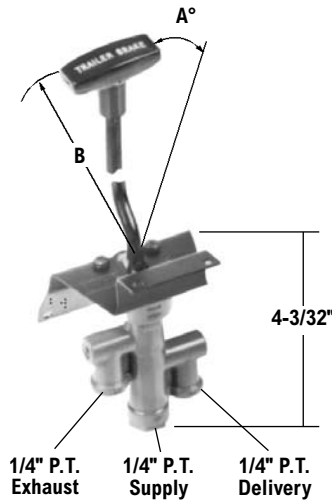
Reman. Exch. Pc. No.	Service New Pc. No.	Grad. Range Pressure (p.s.i.)	Final Delivery Pressure (p.s.i.)	A	B Thd./Drill Depth	C
-	101460	5-125	125	2.35	1.4	.97
276270RX	276270N	5-80	Reservoir	3.44	1.1	2.1
-	800172	5-125	Reservoir	1.25	Through	.09
-	800173	5-80	80	1.25	Through	.09

## TC-6™ Brake Valve

- Maintenance Kit  
Pc. No. 289890

Mounting Plate Not Furnished. If Required Refer To Master Parts Catalog.

V.M.R.S. 13-010-159



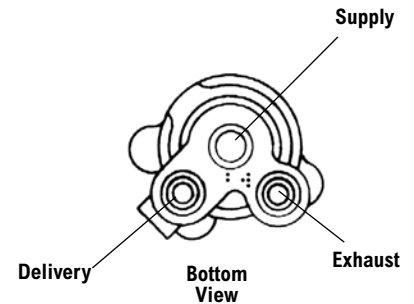
Service New Pc. No.	Handle		Final Delivery Pressure (p.s.i.)
	A°	B inches	
065512	55	7.03	85
106385	55	8.93 Self Returning	85
101786N	75	8.52	120
289884N	75	4.5	120
289885N	75	4.5	50
5003601N	55	8.9	85

## TC-7™ Brake Valve

- Maintenance Kit  
Pc. No. 102145

Handle and Mounting Bracket Not Furnished. If Required Refer To Master Parts Catalog.

V.M.R.S. 13-010-159



Service New Pc. No.	Remarks	Handle Travel	Final Delivery Pressure	Ports*
101860	Positioning	71° CW	Reservoir	1/4 PT
102394N	Self returning	71° CW	Reservoir	1/4 PT
102707	Positioning	50° CW	80 psi	1/4 PT
108233N	Self returning	50° CW	80 psi	1/4 PT
109389	Positioning	71° CW	Reservoir	3/8 PTC
109409	Self returning	71° CW	Reservoir	3/8 PTC

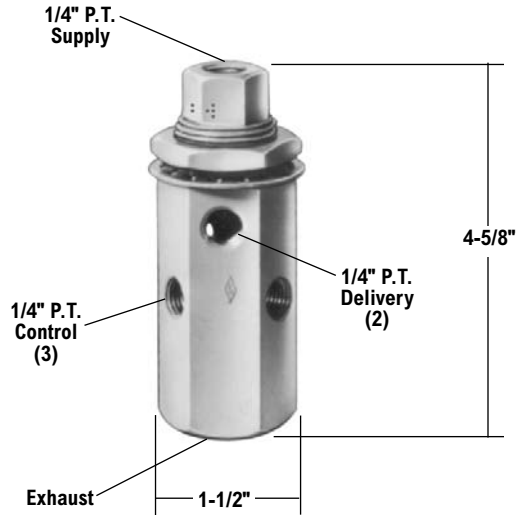
\*PTC - Push To Connect

## TR-2™ Inversion Valve

- Available Remanufactured Exchange
- Maintenance Kit 281138N

V.M.R.S. 13-010-047

**NOTE: With 125 P.S.I. supply pressure valve must begin to exhaust at 65 P.S.I. nominal ascending control pressure. Valve must deliver full supply pressure with 40 P.S.I. nominal descending control pressure.**



Reman. Exch. Pc. No.	Service New Pc. No.
277340RX	277340N

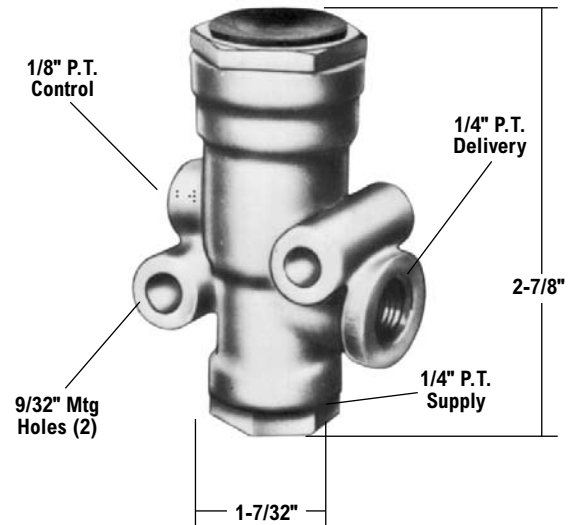
## TR-3™ Inversion Valve

- Available Remanufactured Exchange

V.M.R.S. 13-010-047

**NOTE: With common control & supply pressure inlet opens at “A” P.S.I. descending pressure and exhaust opens at “B” P.S.I. ascending pressure.**

Reman. Exch. Pc. No.	Service New Pc. No.	A PSI	B PSI
--	280758N	45	60
281318RX	281318N	35	70
281459RX	281459N	25	40
*101450RX	*101450N	25	40



\*Special Duty-Bus Application

### Air Brake Training from the Air Brake Experts

Bendix offers a four part computer-animated training video series entitled 'Air Brake Systems.' This complete training package contains one four part video and five workbooks featuring Bendix air brake components and related vehicle systems.

#### Informative and easy to understand video and workbooks

The video program teaches the entire air brake system in a building block format:

- Part 1 presents the air generation system
- Part 2 the service brake system
- Part 3 the emergency and parking brake system
- Part 4 the tractor equipment and complete trailer system

Each program is approximately 20 minutes and details air brake system components – from tractor to trailer - along with their operation. Computer animation makes this video easy to understand – pistons move, crankshafts rotate, and air changes color when pressure changes.

The workbook, which contains illustrations, system schematics, and questions and answers for immediate viewer feedback are also part of this training package.

Order piece number BW1673.

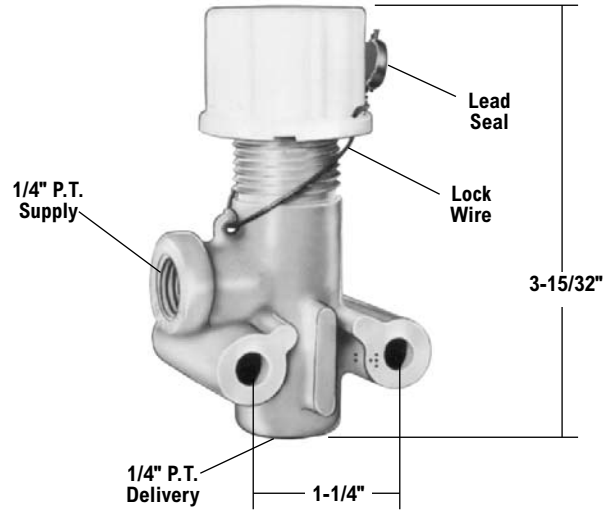


## PR-2™ Pressure Protection Valve

V.M.R.S. 13-010-044

With Adjustable Pressure Setting.

Reman. Exch. Pc. No.	Service New Pc. No.	Nominal Closing Pressure P.S.I.	Comments
277147RX	277147N	65	
277148RX	277148N	85	
-	277222N	95	
277226RX	277226N	60	
-	277227N	75	
-	279505N	65	w/lockwire
-	281467N	50	w/lockwire
-	282517N	60	w/lockwire



## PR-4™ Pressure Protection Valve

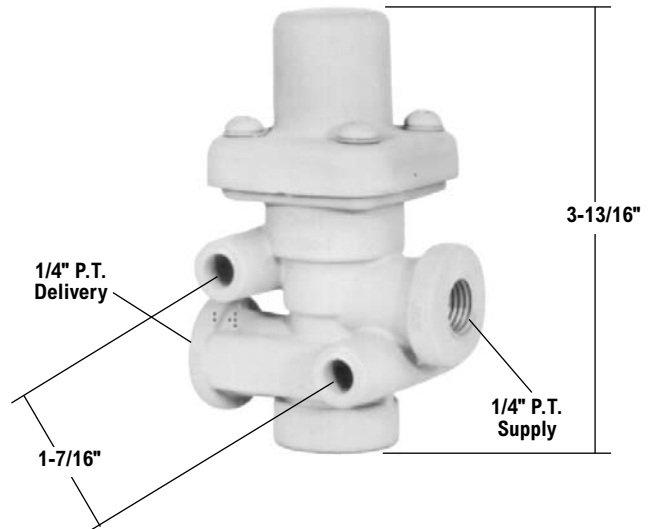
• Maintenance Kit [287366](#) (Note: Not for use with 103976N)

V.M.R.S. 13-010-044

Fixed Pressure Setting.

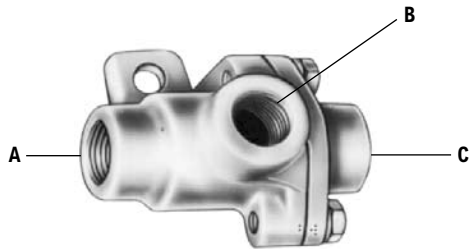
Reman. Exch. Pc. No.	Service New Pc. No.	Nominal Closing Pressure	Supply & Delivery Ports
286500RX	286500N	85 P.S.I.	1/4
288323RX	288323N	70 P.S.I.	1/4
*103976RX	*103976N	45 P.S.I.	1/2

\*For use in aftercooler or air dryer installations where the compressor inlet is turbocharged. See Product Bulletin PRO-08-13 for installation instructions. Maint. Kit 287366 may not be used.

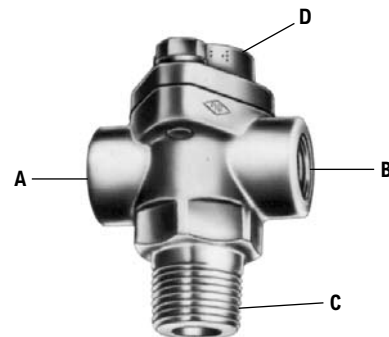


## Double Check Valves

V.M.R.S. 13-010-092



Service New Pc. No.	Pipe Thread Dimensions		
	A	B	C
278614N	3/8"	3/8"	3/8"
278615N	1/4"	1/4"	1/4"

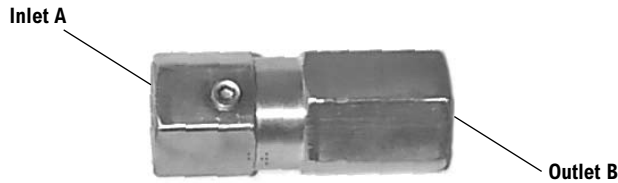


Service New Pc. No.	Pipe Thread Dimensions			
	A	B	C	D
278595N	1/4"	1/4"	1/2"	1/4"
278596N	3/8"	3/8"	1/2"	1/4"
278597N	1/4"	1/4"	3/8"	1/4"
278598N	3/8"	3/8"	3/8"	1/4"
280809N	3/8"	3/8"	3/8"	3/8"

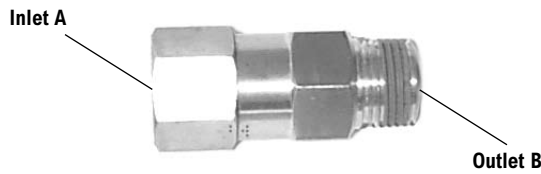


## Single Check Valves – SC-3™ valves replace both the SC-1™ and SC-2™ valves

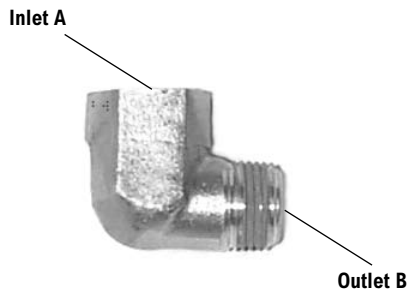
V.M.R.S. 13-010-013



Single Check Valve: Female inlet – Female outlet		
A	B	Service New Pc. No.
1/4"	1/4"	801144
1/2"	1/2"	800370
3/4"	3/4"	800369



Single Check Valve: Female inlet – Male outlet		
A	B	Service New Pc. No.
1/4"	1/8"	800374
1/4"	1/4"	800375
3/8"	3/8"	800373
1/2"	1/2"	800372

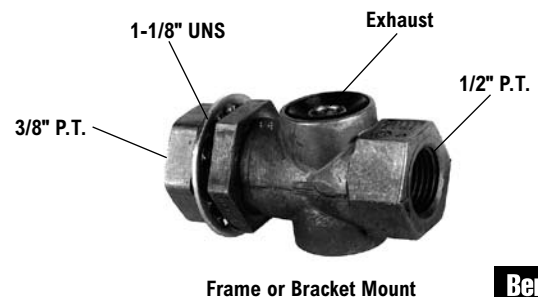
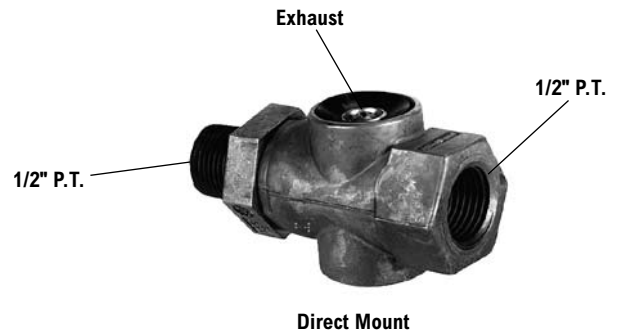


Single Check Valve: Female inlet – Male outlet		
A	B	Service New Pc. No.
1/2"	1/2"	800376

## QR-L™ Inline Quick Release Valve

V.M.R.S. 13-010-008

Service New Pc. No.	Description
800332	Frame or Bracket Mount
800333	Direct Mount



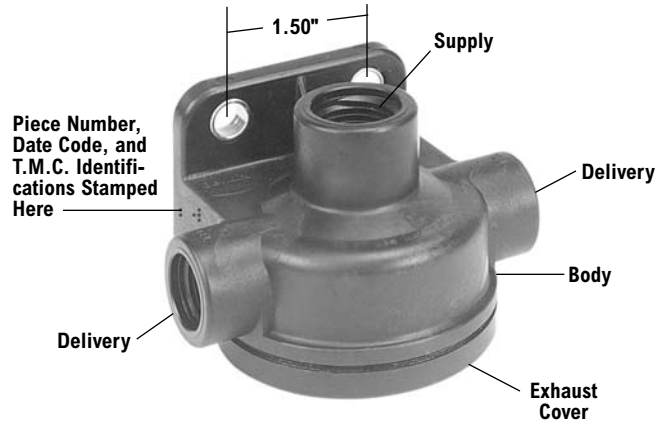
## QRN-2™ Quick Release Valve

The QRN-2™ quick release valve is a lightweight, nonmetallic quick release valve.

Supply port: 1/2" or 3/8"  
V.M.R.S. 13-010-008

Service New Pc. No.	Supply Port	Crack Press.	Delivery Ports
800064	3/8" NPT	0 PSI	3/8" NPT
800063	1/2" NPT	0 PSI	3/8" NPT
800219	1/2" P.T.C.	0 PSI	1/2" P.T.C.

P.T.C. - Push-to-connect fittings



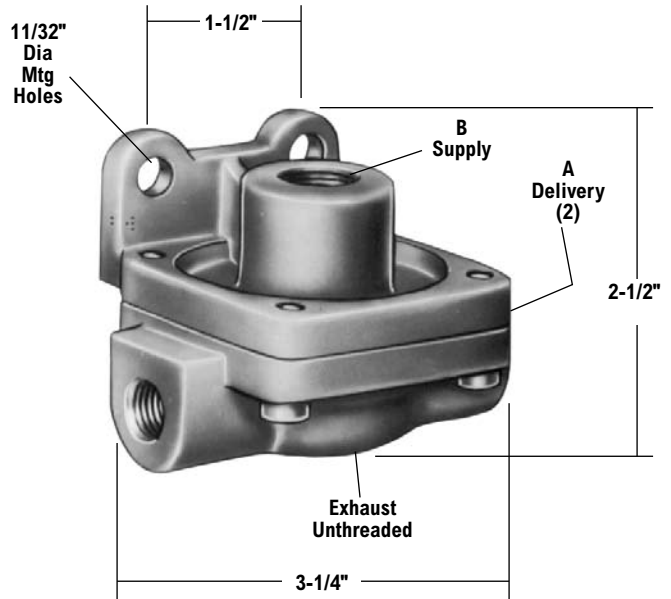
## QR-1™ Quick Release Valve

- Available Remanufactured Exchange
- Use maintenance kit piece no. 260519 to convert 0 PSI crack pressure valves to 1 PSI

V.M.R.S. 13-010-008

Reman. Exch. Pc. No.	Service New Pc. No.	Port P.T. Size		Crack Press.	Comment
		A	B		
229813RX	229813N	1/4"	3/8"	0 PSI	
229844RX	229844N	1/4"	1/2"	0 PSI	
229859RX	229859N	3/8"	3/8"	0 PSI	
229860RX	229860N	3/8"	1/2"	0 PSI	
281024RX	281024N	1/4"	1/4"	0 PSI	
*288251RX	*288251N	3/8"	3/8"	0 PSI	
278483RX	278483N	3/8"	1/2"	5-8 PSI	
-	102344N	3/8"	3/8"	10-16 PSI	
289525RX	289042N	1/4"	3/8"	1 PSI max	w/insert
289525RX	289525N	3/8"	3/8"	1 PSI max	w/insert

\*3/8" P.T. Exhaust Port

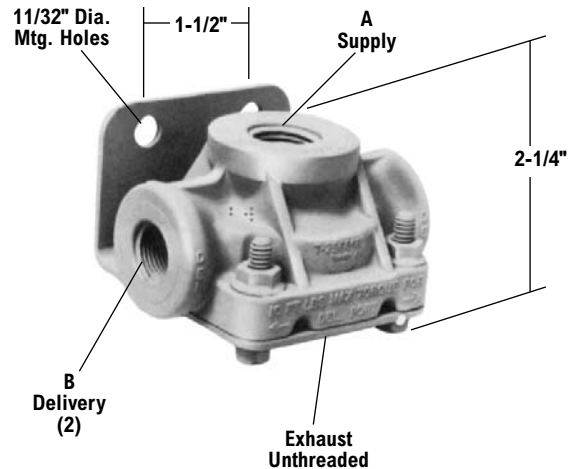


## QRN™ Quick Release Valve

- Maintenance Kit 104463

V.M.R.S. 13-010-008

Service New Pc. No.	Port Sizes		Crack Press	Mtg.
	A Supply	B Delivery		
802745	1/2"	3/8"	1 PSI Max	.34 holes
802743	3/8"	3/8"	1 PSI Max	.34 holes
802741	3/8"	3/8"	5-8 PSI	.34 holes
802744	3/8"	3/8"	1 PSI Max	.34 x .75 slots
065213	3/8"	3/8"	4.5-7.5 PSI	.34 x .75 slots
065214	3/8"	3/8"	2-4.5 PSI	.34 x .75 slots
802742	1/2"	3/8"	5-8 PSI	.34 holes
065311	1/2"	3/8"	4.5-7.5 PSI	.34 x .75 slots
065347	1/2"	3/8"	2-4.5 PSI	.34 x .75 slots
800439	1/2"	3/8"	2-4.5 PSI	-

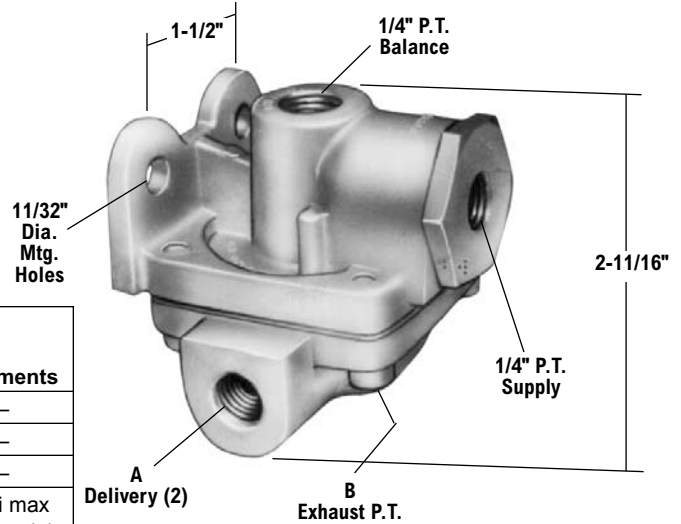


## QR-1C™ Quick Release Valve

- Available Remanufactured Exchange
- Unless noted otherwise, crack pressure is 0 PSI
- Use maintenance kit piece no. 260519 to convert 0 PSI crack pressure valves to 1 PSI

V.M.R.S. 13-010-008

Reman. Exch. Pc. No.	Service New Pc. No.	A Delivery P.T. Size	B Exhaust P.T. Size	Comments
289182RX	289182N	1/4"	—	—
289714RX	289714N	3/8"	—	—
—	107881N	3/8"	1/2" w/Silencer	—
—	800539	3/8"	—	1 psi max differential

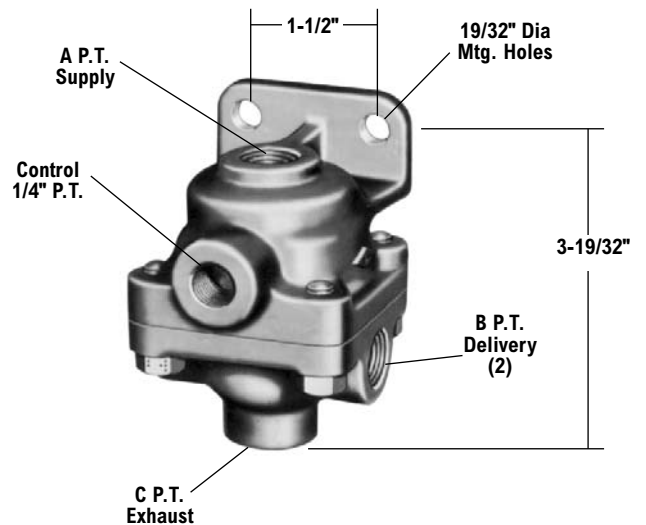


## LQ-2™ Limiting and Quick Release Valve

- Available Remanufactured Exchange
- Maintenance Kit 282098N

V.M.R.S. 13-010-008

Reman. Exch. Pc. No.	Service New Pc. No.	A Pipe Thread	B Pipe Thread	C Pipe Thread
229505RX	229505N	3/8"	3/8"	—
229507RX	229507N	1/2"	1/4"	—
229509RX	229509N	3/8"	1/4"	—
288417RX	288417N	3/8"	3/8"	3/8"

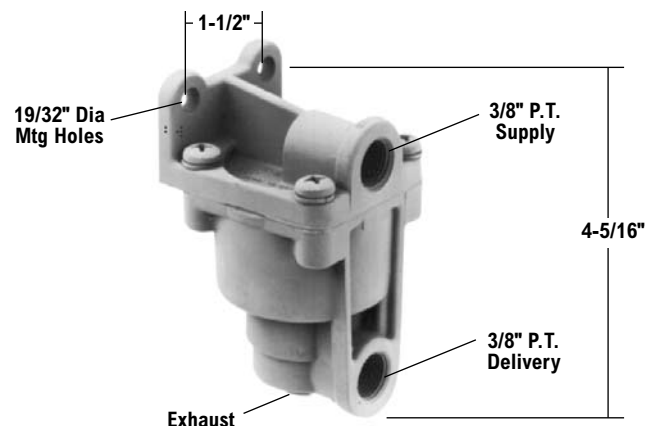


## LQ-4™ Front Axle Ratio Valve

- Available Remanufactured Exchange
- Maintenance Kit 289500N

V.M.R.S. 13-010-034

Reman. Exch. Pc. No.	Service New Pc. No.	Nominal Hold Off Pressure	Nominal Equalizing Pressure
101311RX	101311N	20	70
289144RX	289144N	4	60
289148RX	289148N	10	65

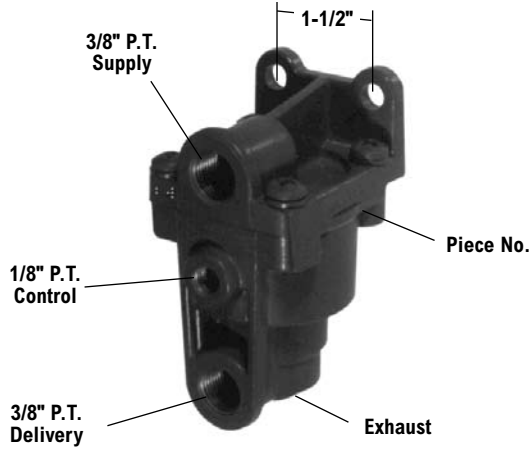


## LQ-5™ Bobtail Limiting Valve

- Available Remanufactured Exchange
- Maintenance Kit 107195

V.M.R.S. 13-010-010

Reman. Exch. Pc. No.	Service New Pc. No.
065154RX	065154



## BP-1™ Air Brake Proportioning Valve

- BP-1™ Air Brake Proportioning Valve Front Maintenance Kit 104710
- BP-1™ Air Brake Proportioning Valve Rear Maintenance Kit 104711

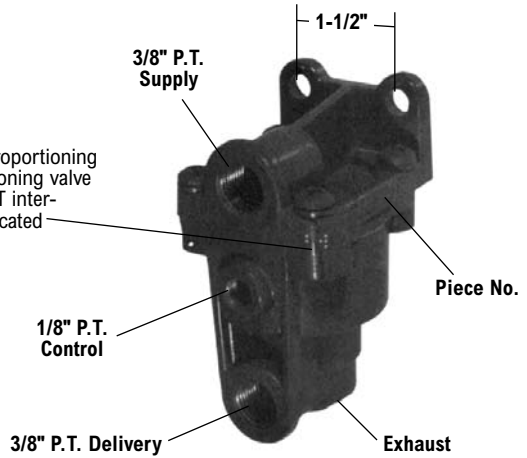
V.M.R.S. 13-010-222

Front Service New Pc. No.	Nominal Hold Off Press (P.S.I.)	Nominal Equalizing Pressure (P.S.I.)
104598N	4	50

V.M.R.S. 13-010-222

Rear Service New Pc. No.	Nominal Inshot Pressure (P.S.I.)	Nominal Equalizing Pressure (P.S.I.)
106284	8	105

**Caution:** The BP-1™ front air brake proportioning valve & BP-1™ rear air brake proportioning valve are similar in appearance but are NOT interchangeable. Note identification tag located



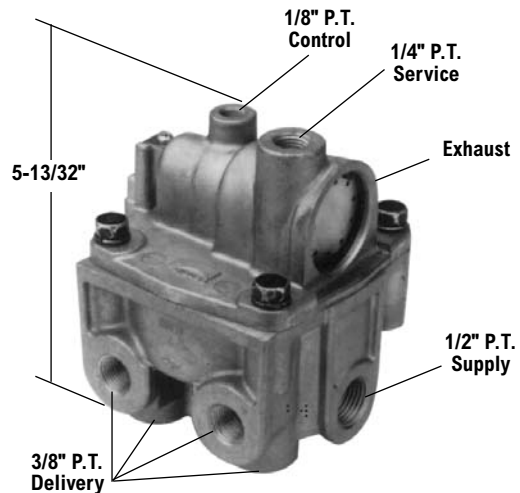
- Field Installation Kit **209924** (vehicles **with** front axle limiting)

## BP-R1™ Bobtail Brake Proportioning Relay Valve

- Maintenance Kit 106932
- Universal Mounting Bracket 296010N furnished with Exchange Valve

V.M.R.S. 13-010-222

Reman. Exch. Pc. No.	Service New Pc. No.	Crack Pressure
065145RX	065145N	4
065146RX	065146N	5.5



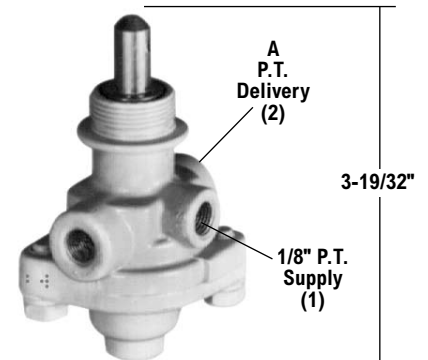
## PP-1™ Control Valve

- Available Remanufactured Exchange
- Maintenance Kit 281126N
- Button and Mtg. Nut not furnished with Exchange Valve
- Refer to Master Parts Catalog for Button or Dial Plate Pc. No.

V.M.R.S. 13-010-016

Reman. Exch. Pc. No.	Service New Pc. No.	Automatic Release Pressure	A P.T.
276566RX	276566N	20 PSI	1/8"
276567RX	276567N	40 PSI	1/8"
278450RX	278450N	—	1/8"
*281587RX	—	40 PSI	1/8"
283828RX	283828N	60 PSI	1/8"
287417RX	287417N	30 PSI	1/4"
287600RX	287600N	40 PSI	1/4"

\*Remote controlled

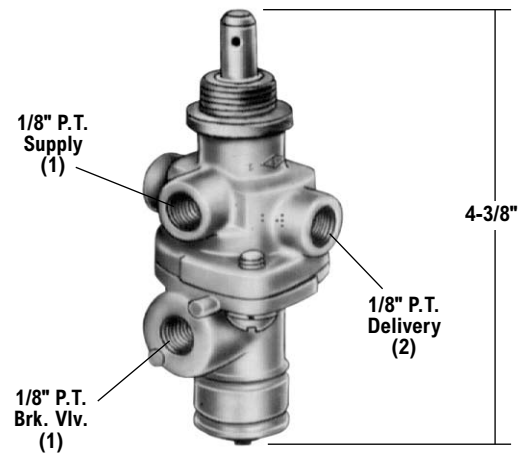


## PP-2™ Control Valve (Pressure Balanced)

- Available Remanufactured Exchange
- Maintenance Kit 281127N
- Button and Mtg. Nut not furnished with Exchange Valve
- Refer to Master Parts Catalog for Button or Dial Plate Pc. No.

V.M.R.S. 13-010-104

Reman. Exch. Pc. No.	Service New Pc. No.	Automatic Release Pressure
276462RX	276462N	40 PSI



## PP-3™ Control Valve (Automatic Tripper)

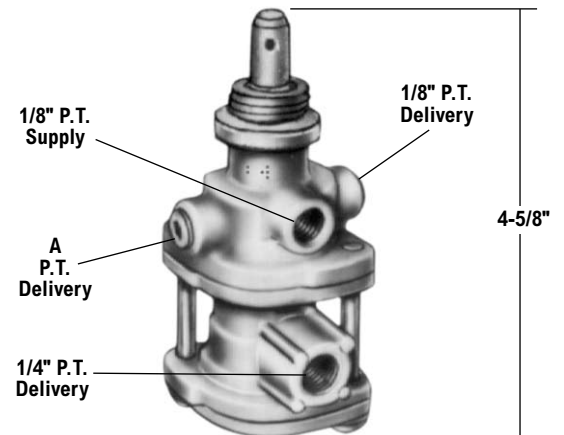
- Available Remanufactured Exchange
- Maintenance Kit 280857N
- Button and Mtg. Nut not furnished with Exchange Valve
- Refer to Master Parts Catalog for Button or Dial Plate Pc. No.

V.M.R.S. 13-010-016

Reman. Exch. Pc. No.	Service New Pc. No.	A P.T.
†*279787RX	†*279787	None
288746RX	288746N	None
289477RX	289477	1/8"
*289512RX	—	1/8"

Tripper Exhausts at 30 P.S.I. & Charges above 50 P.S.I. Plunger Trips at 40 P.S.I. and Charges Manually.

\*Remote Controlled  
†Mtg. Nut Furnished

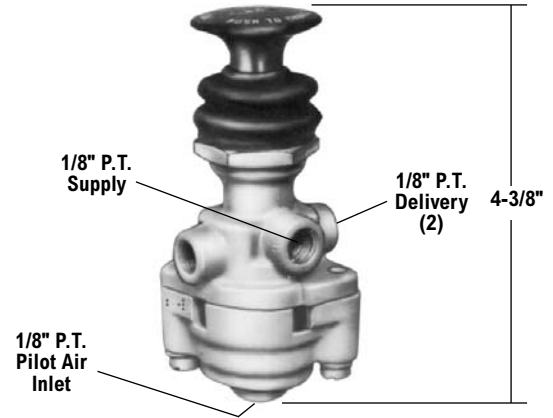


## PP-5™ Control Valve (With Pilot Air Release)

- Maintenance Kit 281949
- Button is Furnished with Valve Pc. No. 284744N
- Refer to Master Parts Catalog for Button Pc. No.

V.M.R.S. 13-010-104

Service New Pc. No.	Automatic Release Pressure
281946N	40 PSI
284744N	Manual



## PP-7™ Trailer Supply Valve

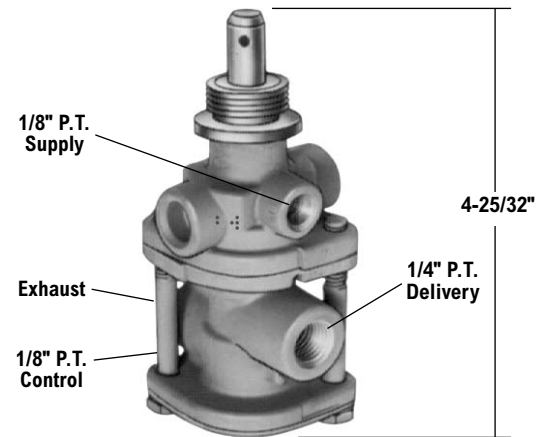
- Available Remanufactured Exchange
- Maintenance Kit 287367
- Button and Mtg. Nut not furnished with Exchange Valve.
- Refer to Master Parts Catalog for Button or Dial Plate Pc. No.

V.M.R.S. 13-010-016

Automatic Release Pressure 40 PSI

Reman. Exch. Pc. No.	Service New Pc. No.	Threaded Exhaust Port
288239RX	288239N	–
288241X	–	1/4"
*288242RX	*288242	–

\* Remote Controlled



## E-Z-Grip® Soft Button Cover

Service Pc. No.	Fits Valve
801526	PP-DC™ Control Valve
801593	PP-1™ Control Valve



Button not included

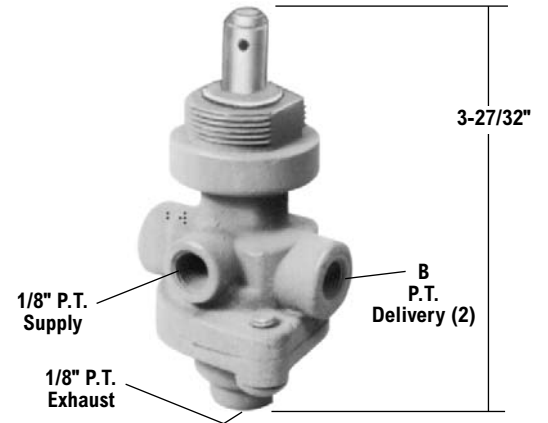


## PP-8™ Control Valve

- Available Remanufactured Exchange
- Button and Mtg. Nut not Furnished with Exchange Valve
- Refer to Master Parts Catalog for Button or Dial Plate Pc. No.

V.M.R.S. 13-010-104

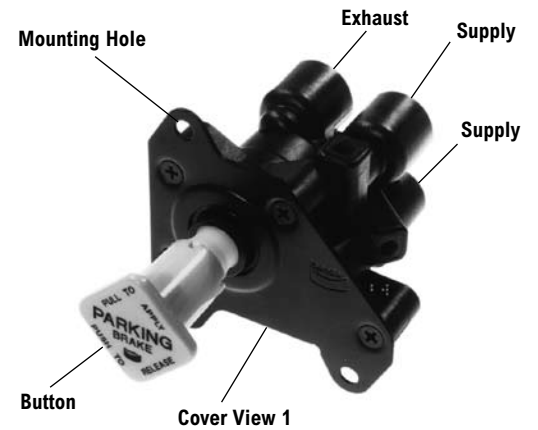
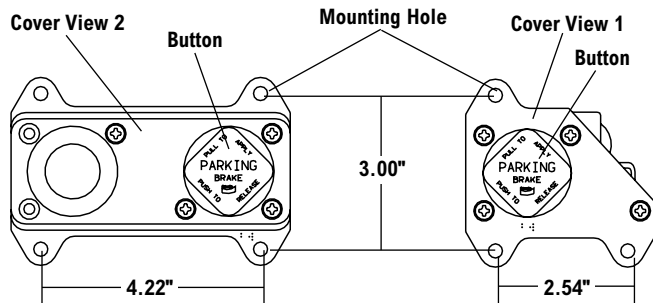
Reman. Exch. Pc. No.	Service New Pc. No.	B P.T.
287238RX	287238N	1/8"
287418RX	287418N	1/4"



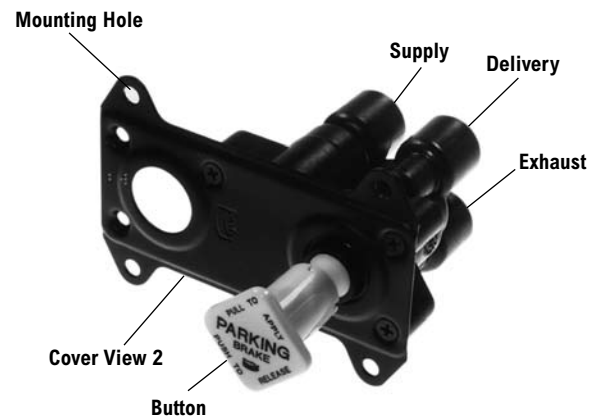
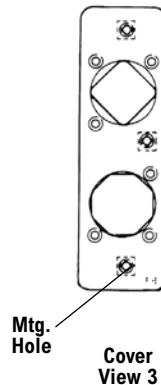
## PP-DC™ Control Valve

- Maintenance Kit 5006939

V.M.R.S. 13-101-017



Service New Pc. No.	Cover View	Mounting Hole	Port Type
065643	2	.27" DIA.	Push-to-connect (3/8" O.D. Tubing)
065661	1	1/4-20 THD.	Push-to-connect (3/8" O.D. Tubing)
065690	1	.27" DIA.	Push-to-connect (3/8" O.D. Tubing)
800034	2	.27" DIA.	1/4"-18 N.P.T.
800142	1	1/4-20 THD.	1/4"-18 N.P.T.
800309	3	M-6	Push-to-connect (3/8" O.D. Tubing)

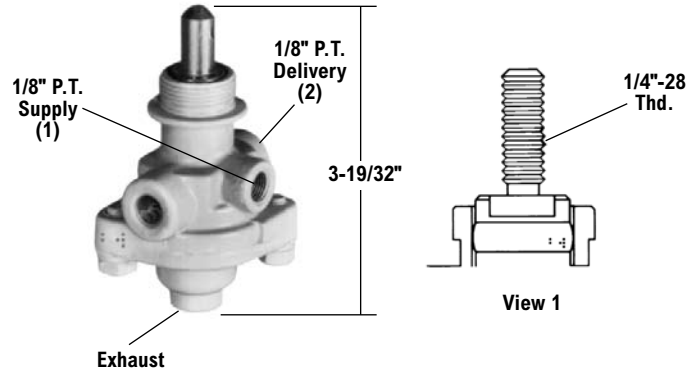


## RD-3™ Push Type Control Valve

- Available Remanufactured Exchange
- Maintenance Kit 281126N
- Button not furnished with Exchange Valve, Roll Pin Furnished
- Refer to Master Parts Catalog for Button or Dial Plate Pc. No.

V.M.R.S. 13-010-104

Service New Pc. No.	Comments
286211N	-
104644	See View 1



## MV-2™ Control Module

- Buttons are not supplied with Spool Inserts. Refer to Master Parts Catalog for Button Pc. Nos.
- Maintenance kit for dual circuit supply valve is Pc. No. 101557.

V.M.R.S. 13-010-112

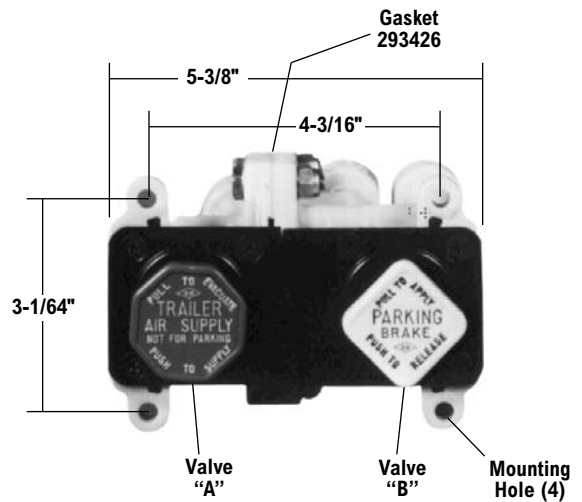
Service New Pc. No.	Mounting Hole
101437N	1/4" UNTHREADED
101890N	1/4-20 THD.
102027N	#10-24 THD.



Valve "A"  
Spool Assy.  
101569



Valve "B"  
Spool Assy.  
101570

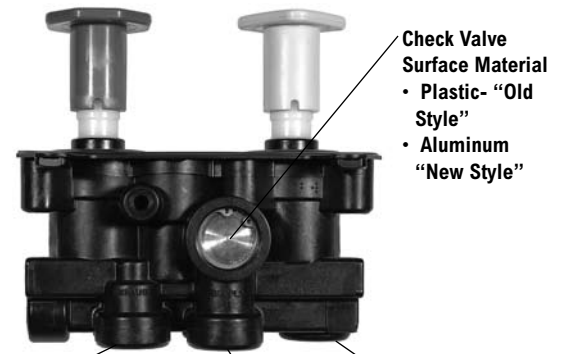
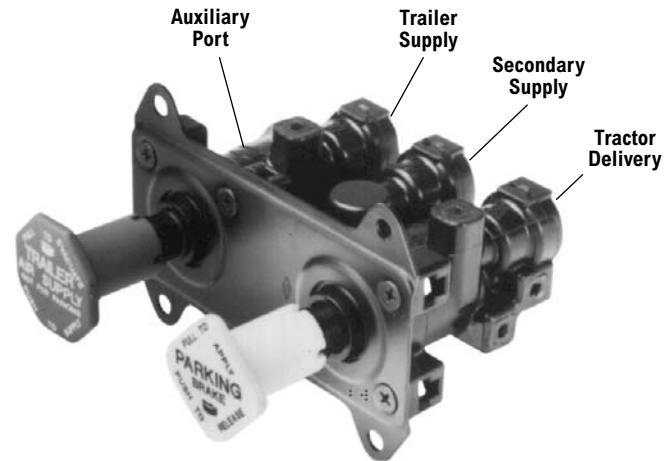


## MV-3™ Control Module

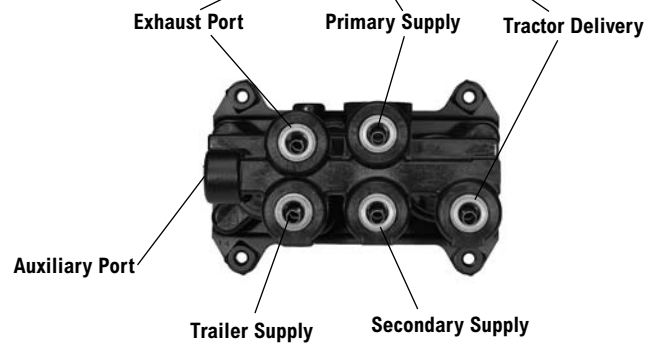
- Maintenance Kit 107216 (old style) or 5002741 (new style)
- Shuttle Kit 107217 (old style) or 5002742 (new style)
- (See check valve material to determine kit piece numbers)

V.M.R.S. 13-010-112

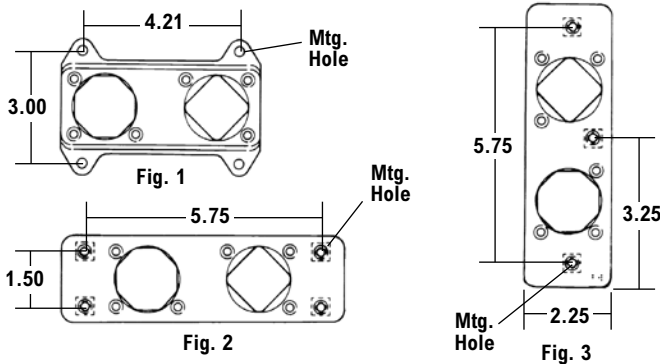
Service New Pc. No.	Replaces	Mtg. Plate Figure	Mtg. Hole Dia./Thd.	Aux. Port Thd. (NPT)	Comments
800257	065523	1	0.27	—	Push-in Fittings-3/8"
800259	800036	1	1/4-20	—	Push-in Fittings-3/8"
800516	065157	1	0.27	—	
800517	065159	2	M6 x 1-6H	—	
	065379				
800518	065160	1	0.27	1/8-27	
800519	065186	1	1/4-20	—	
800521	065192	3	1/4-20	—	
800522	—	1	M6 x 1-6H	1/8-27	
800523	065248	1	#10-24	—	
800573	065187	1	1/4-20	—	
800584	065208	1	M6 x 1-6H	1/8-27	



Check Valve Surface Material  
 • Plastic- "Old Style"  
 • Aluminum "New Style"



Push-in fittings shown in bottom view.

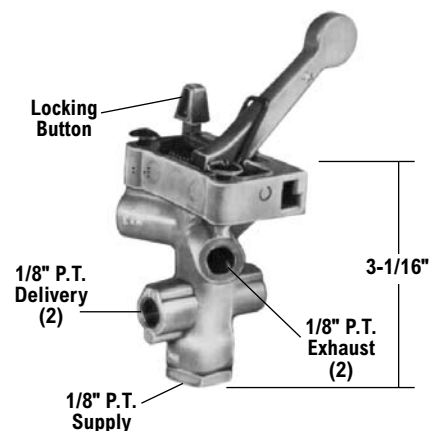


## TC-4™ Modulating Control Valve (With Lever Latch)

- Available Remanufactured Exchange
- Dial Plate not furnished with Exchange Valve
- Refer to Master Parts Catalog for Dial Plate Pc. No.

V.M.R.S. 13-010-104

Reman. Exch. Pc. No.	Service New Pc. No.	Locking Button Position	Delivery Pressure P.S.I.	Comments
282368RX	282368N	LEFT	86-100	—
—	282382N	LEFT	86-100	Includes Dial Plate

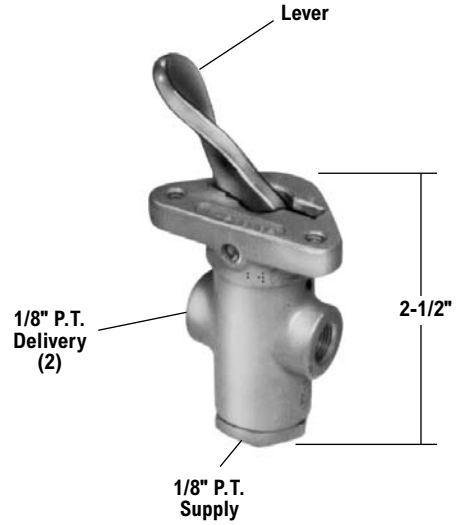


## TW-1™ Control Valve

- Available Remanufactured Exchange
- Dial Plate not furnished with Exchange Valve
- Refer to Master Parts Catalog for Dial Plate Pc. No.

V.M.R.S. 13-016-016

Reman. Exch. Pc. No.	Service New Pc. No.	Lever Mat'l and Finish
228729RX	228729N	Zinc-Chrome
229635RX	229635N	Steel-Chrome
277516RX	277516N	Nylon-Black

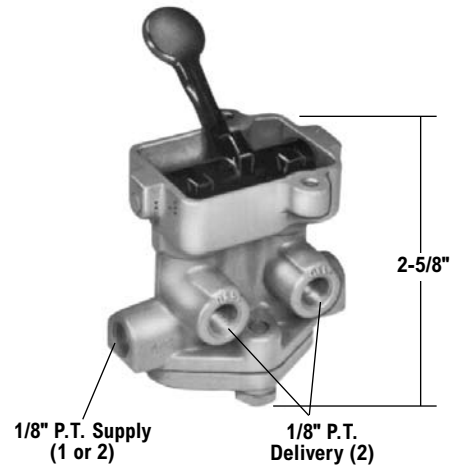


## TW-2™ & TH-3™ Control Valve

(TW-2™ Control Valve Two Lever Positions)  
 (TH-3™ Control Valve Three Lever Positions)

- Available Remanufactured Exchange
- Maintenance Kit 282391
- Dial Plate Not Furnished with Exchange Valve
- Refer to Master Parts Catalog for Dial Plate Pc. No.

Service New TW-2™ Control Valve Pc. No.	Service New TH-3™ Control Valve Pc. No.	Lever
280905N	280904N	Centering
	281560N	Positioning



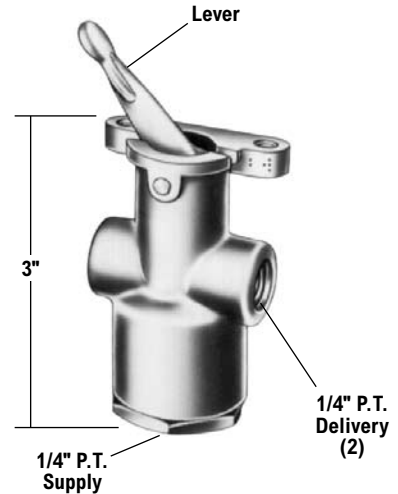
## TW-3™ Control Valve

- Available Remanufactured Exchange
- Dial Plate Not Furnished with Exchange Valve
- Refer to Master Parts Catalog for Dial Plate Pc. No.

V.M.R.S. 13-010-016

Reman. Exch. Pc. No.	Service New Pc. No.	Lever Mat'l.
*225892RX	*225892N	ZINC
*228762RX	*228762N	STEEL
283040RX	283040N	STEEL

\* Vacuum Control

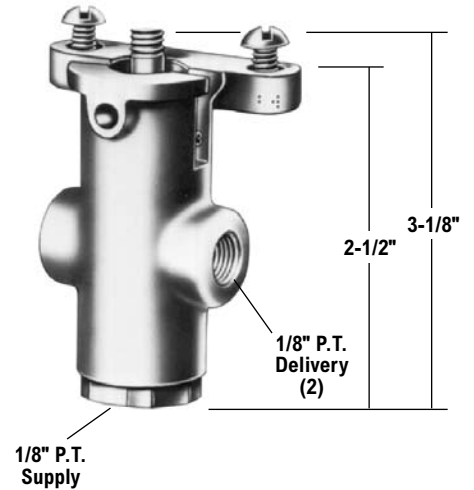


## TW-4™ Control Valve

- Available Remanufactured Exchange
- Refer to Master Parts Catalog for Button Pc. No.

V.M.R.S. 32-004-007

Service New Pc. No.
276635N

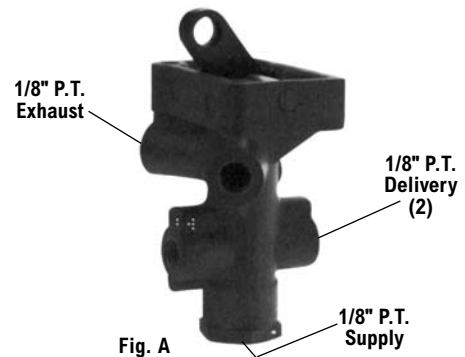
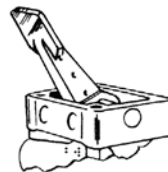


## TW-11™ Control Valve

- Used in conjunction with the HR-1™ Hydraulic Relay Valve.

Service New Pc. No.	Configuration
065356	Fig. B
065316	Fig. A

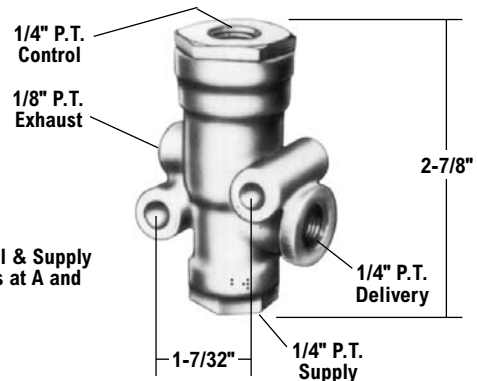
Fig. B



## SV-1™ Synchronizing Valve

Service New Pc. No.	A PSI	B PSI
278825N	42	28
282472N	21	11
283700N	62	50

With Common Control & Supply Pressure, Inlet Opens at A and Exhaust Opens at B



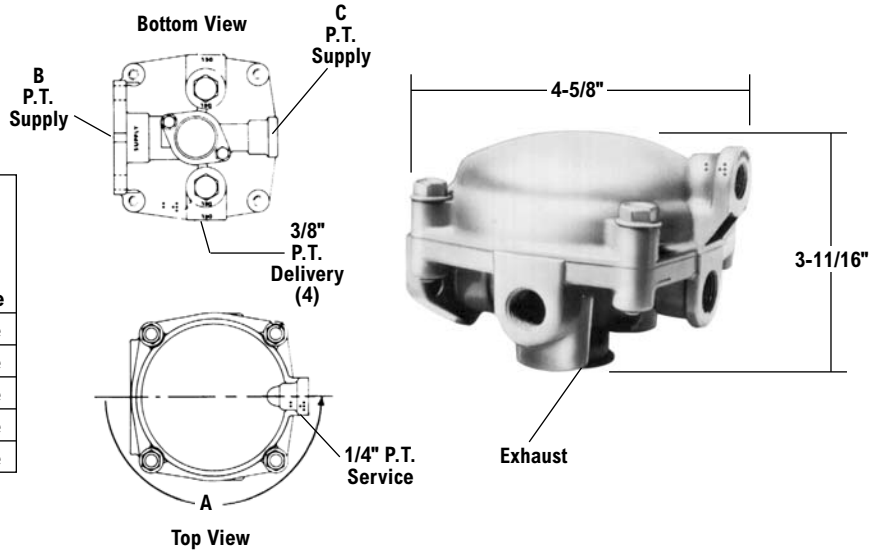
## R-6™ Relay Valve

- Available Remanufactured Exchange
- Maintenance Kit 280856N

V.M.R.S. 13-010-009

Reman. Exch. Pc. No.	Service New Relay Valve Pc. No.	A Degrees Service Port Angle	B P.T.	C P.T.	Mtg. Flange
—	279180N	180	—	3/8"	2 Hole
279952RX	279952N	180	3/4"	3/8"	2 Hole
280375RX	280375	90	—	1/2"	2 Hole
279952RX	*280651N	180	3/4"	3/8"	2 Hole
283940RX	283940N	270	3/8"	3/8"	4 Hole

\*Pipe Plugs & Gasket Attached  
Crack Pressure 2 P.S.I.



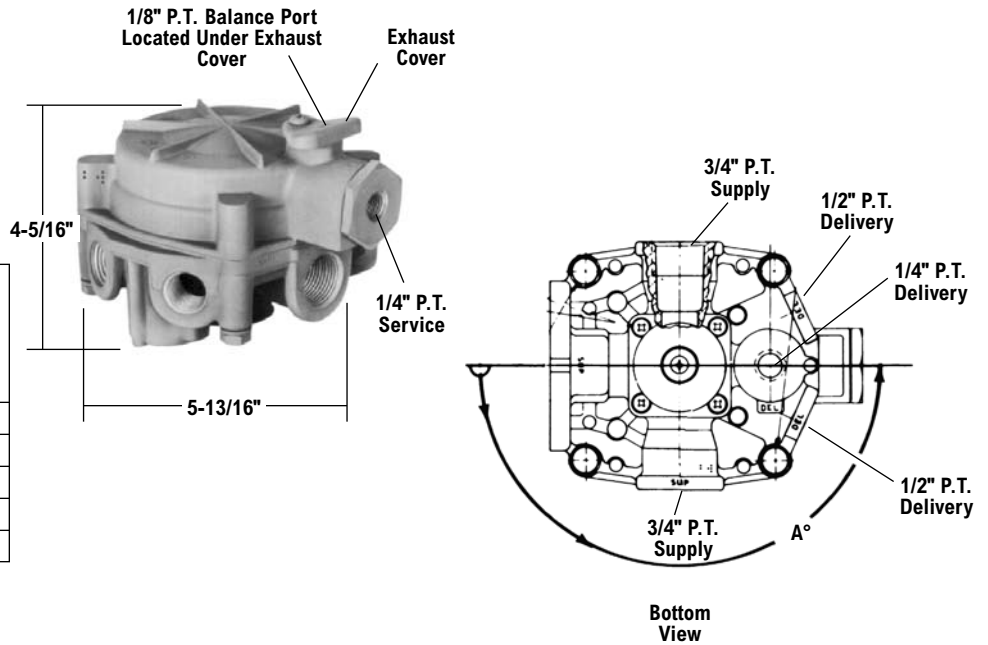
## R-8™ Relay Valve

- Available Remanufactured Exchange
- Maintenance Kit 287370N

V.M.R.S. 13-010-009

Reman. Exch. Pc. No.	Service New Pc. No.	A Service Port Location (Degree)	Comments
286370RX	286370N	90	
*286371RX	*286371N	90	
*287260RX	*287260N	180	
288369RX	288369N	180	
288781RX	288781	180	Waterproof

\*No Exhaust Cover

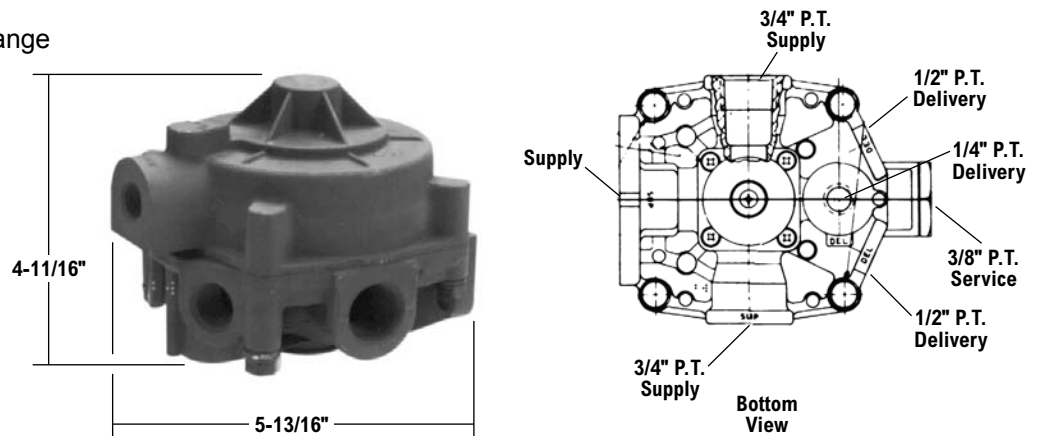


## R-8P™ Relay Valve

- Available Remanufactured Exchange
- Maintenance Kit 103799

V.M.R.S. 13-010-009

Reman. Exch. Pc. No.	Service New Pc. No.	Comments
287114RX	287114N	—



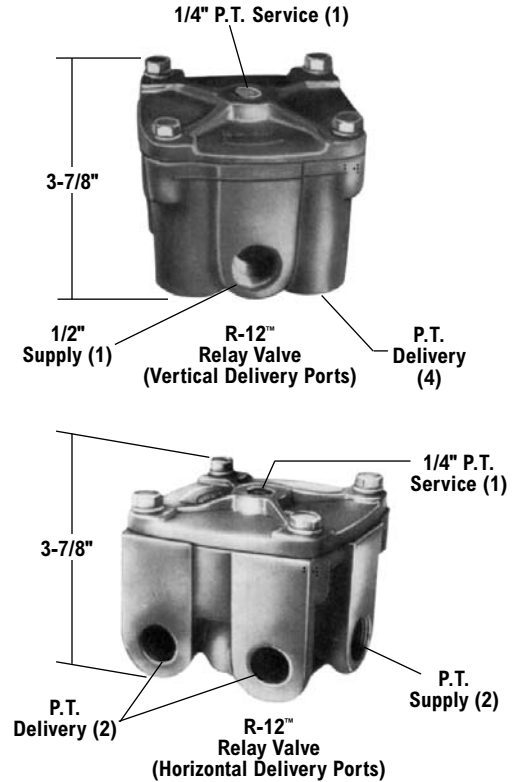
## R-12™ Relay Valves

- Available Remanufactured Exchange
- All Universal R-12™ and R-14™ Relay Valves Include Installation Instructions and a Universal Mounting Bracket as indicated.

V.M.R.S. 13-010-009

### Vertical Delivery Ports

Reman. Exch. Pc. No.	Service New Pc. No.	Crack Pressure (P.S.I.)	Delivery Port Size (P.T.)	Maint. Kit	Mounting Bracket
5003365X	065104	4	3/8	102802N	296010N
-	065181	5.5	1/2	102802N	296010N
102626RX	102626N	4	1/2	102802N	296010N
103912RX	103912	7.5	1/2	102802N	296010N
104561RX	-	5.5	3/8	102802N	296010N
-	*800365	4	3/8	102802N	296010N



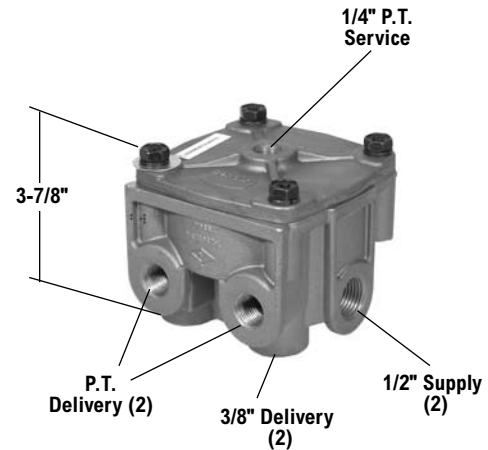
### Horizontal Delivery Ports

Reman. Exch. Pc. No.	Service New Pc. No.	Crack Pressure (P.S.I.)	Supply Port Size (P.T.)	Maint. Kit	Mounting Bracket	Delivery (P.T.)
-	065125	5.5	1/2	102802N	296010N	1/2
-	065309	4	1/2	102802N	296010N	1/2
-	065546	4	1/2	109523	296010N	1/2
103009RX	103009N	4	3/4	102802N	296010N	1/2
104165RX	-	7.5	3/4	102802N	296010N	1/2
-	800238	4	3/4	102802N	N/A	1/2
-	800305	4	1/2	5002831	296010N	1/2
-	*800366	5.5	1/2	5004029	296010N	3/8
-	*800365	4	1/2	5004029	296010N	1/2

\*Self draining piston

### R-12™ Relay Valve Vert. (2) & Horizontal Delivery Ports

Service New Pc. No.	Crack Pressure (P.S.I.)	Delivery Port Size (P.T.)	Maint. Kit	Mounting Bracket
065206	5.5	3/8	102802N	296010N
065303	4	3/8	102802N	296010N
800095	4	3/8	102802N	102846N**
800441	5.5	3/8	102802N	102846N**
800483	5.5	1/2	102802N	N/A
800484	5.5	1/2	102802N	296010N
800485	4	1/2	102802N	N/A
800486	4	1/2	102802N	296010N
800508	5.5	1/2	102802N	N/A



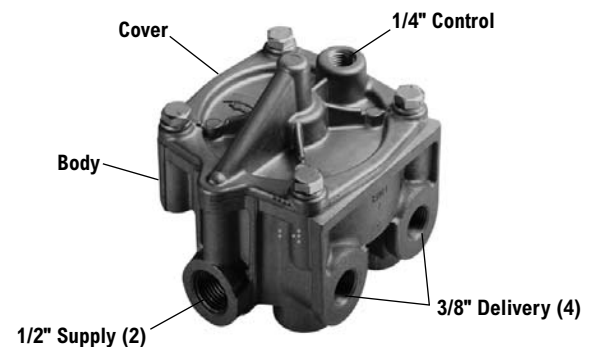
\*\*Mounting bracket 102846N includes two 5/16 inch mounting studs.

## R-12P™ Pilot Relay Valve

- Available Remanufactured Exchange
- Universal Mounting Bracket 296010 included
- Field Maintenance Kit 109265

V.M.R.S. 13-010-009

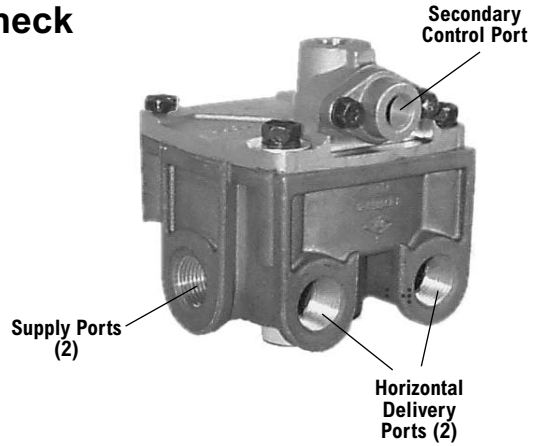
Service New Pc. No.	Reman. Exch. Pc. No.
065476	109264X



## R-12DC™ Relay Valve with Biased Double Check

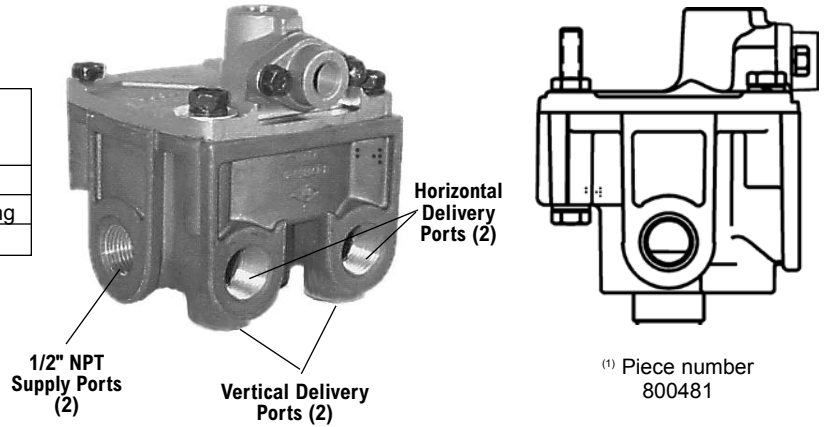
### R-12DC™ Relay Valve with 2 Horizontal Delivery Ports

Service New Pc. No.	Crack Pressure	Supply Ports NPT	Delivery Ports NPT	Bracket Pc. No. (Included)
800470	4	1/2	1/2	296010N
800471	5.5	1/2	1/2	294649N
800627	4	1/2	1/2	294649N



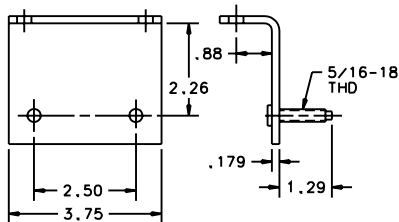
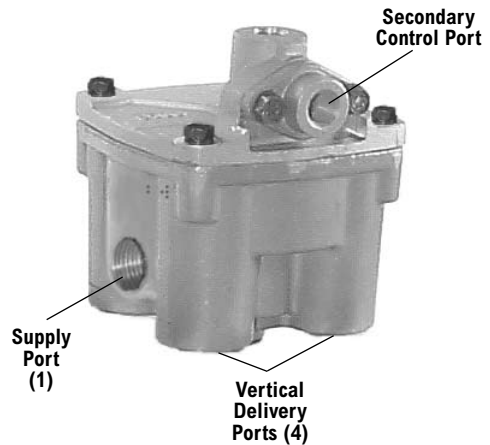
### R-12DC™ Relay Valve with 2 Horizontal and 2 Vertical Delivery Ports

Service New Pc. No.	Crack Pressure	Horizontal Delivery Ports NPT	Vertical Delivery Ports NPT	Bracket Pc. No. (Included)
800481	4	1/2	3/8	none <sup>(1)</sup>
801305	4	1/2	3/8	3/8" Tube Fitting
801381	5.5	1/2	3/8	102846N

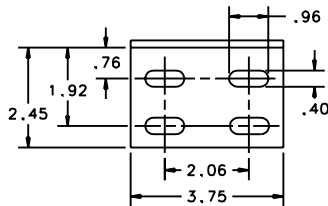


### R-12DC™ Relay Valve with 4 Vertical Delivery Ports

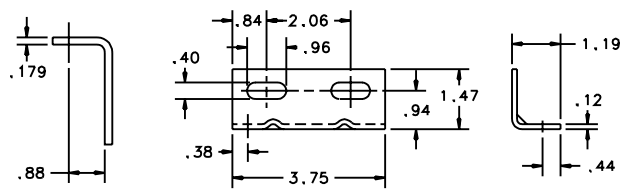
Service New Pc. No.	Crack Pressure	Vertical Delivery Ports (NPT)	Bracket Pc. No. (Included)
800477	4	1/2	102846N
800479	4	1/2	294649N



Mounting Bracket  
Pc. No. 102846N



Mounting Bracket  
Pc. No. 296010N



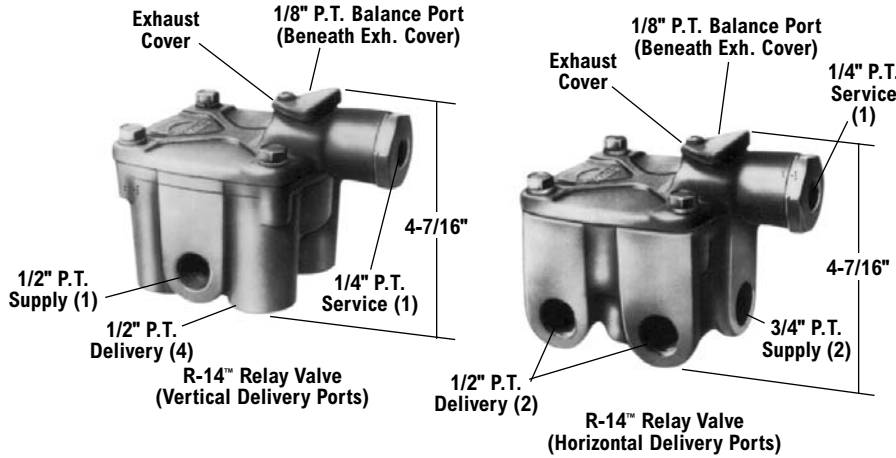
Mounting Bracket  
Pc. No. 294649N



## R-14™ Relay Valve

- Available Remanufactured Exchange
- Field Maintenance Kit for R-12™ & R-14™ Relay Valves is Pc. No. 102802N
- All Universal R-12™ and R-14™ Relay Valves Include Installation Instructions and a Universal Mounting Bracket Pc. No. 296010N.

V.M.R.S. 13-010-009



Reman. Exch. Pc. No	Service New Pc. No.	Crack Press. PSI	Supply
<b>Horizontal Delivery Ports</b>			
103010RX	103010N	4	3/4
103294RX	103294N	5.5	3/4
103835X	103835	7.5	3/4
-	104345	5	3/4
104574RX	104574	4	1/2
<b>Vertical Delivery Ports</b>			
103028RX	103028N	4	1/2
-	103833	7.5	1/2
-	106313	5.5	1/2
<b>Vertical &amp; Horizontal Delivery Ports*</b>			
-	065430	4	1/2

\*Delivery ports (2) 3/8 & (2) 1/2

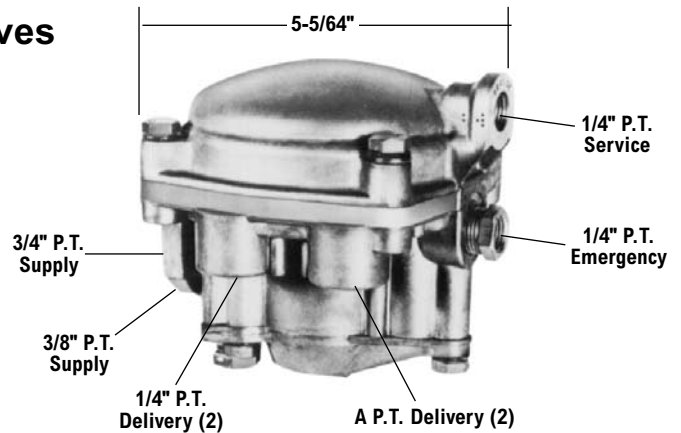
## RE-6™ & RE-6NC™ Relay Emergency Valves

- Available Remanufactured Exchange
- Maintenance Kits:  
282812 Complete Valve  
282813 Insert Only

V.M.R.S. 13-010-037

Reman. Exch. Pc. No.	Service Pc. No.	Valve	A P.T. Delivery
281865X	281865	RE-6™ Relay Emergency Valve	3/8"
281860X	281860	RE-6™ Relay Emergency Valve	1/4"
-	065451	RE-6NC™ Relay Emergency Valve	1/4"

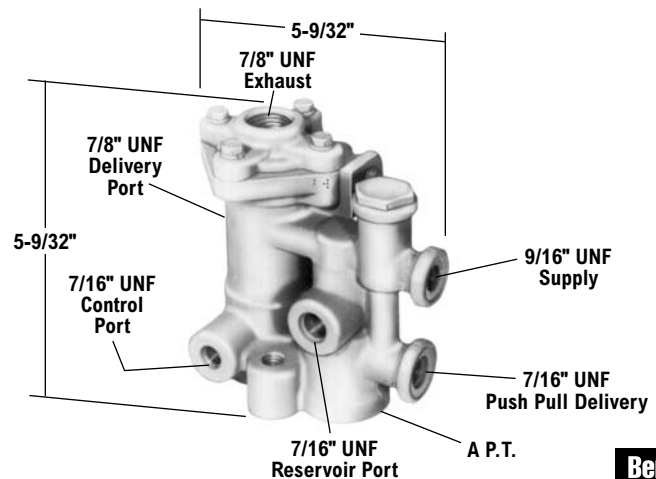
The RE-6NC™ relay emergency valve must be used in conjunction with a PR-3™ reservoir control valve.



## HR-1™ Hydraulic Relay Valve

V.M.R.S. 13-010-015

Service Pc. No.	Vehicles
065147	Ford, Navistar

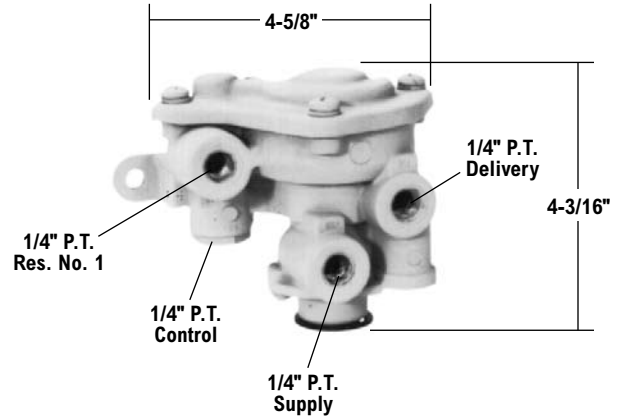


## SR-1™ Spring Brake Valve

- Available Remanufactured Exchange
- Maintenance Kit: 108123

V.M.R.S. 13-010-048

Reman. Exch. Pc. No.	Service New Pc. No.	Cust. Ident.	Reservoir Trip Press.
286364RX	286364N	NONE	55 PSI
288063RX	288063N	IHC-459271-C92	30 PSI



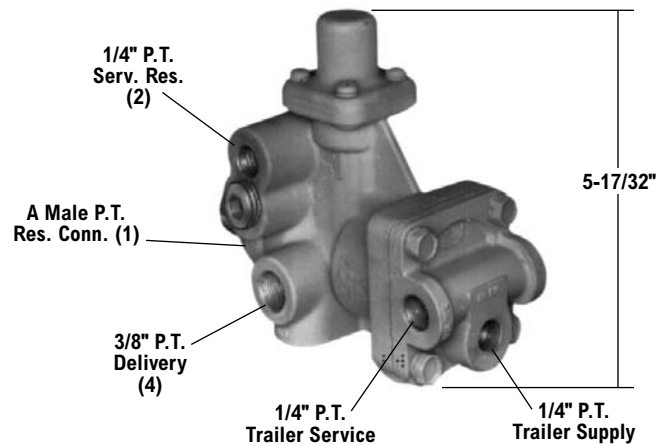
## SR-2™ Trailer Spring Brake Valve

- Available Remanufactured Exchange
- Maintenance Kit 287691

V.M.R.S. 13-010-048

Reman. Exch. Pc. No.	Service New Pc. No.	A P.T.
*287376RX	*287376N	3/4"
102761RX	102761N	3/4"
103061RX	103061N	1/2"

\*Does not have trailer service port for anti-compound

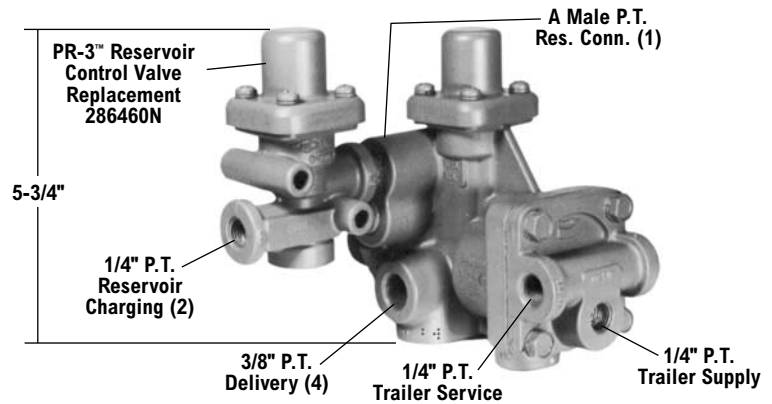


## SR-4™ Trailer Spring Brake Valve

- Available Remanufactured Exchange
- Maintenance Kit 102048

V.M.R.S. 13-010-048

Reman. Exch. Pc. No.	Service New Pc. No.	A P.T.
101112RX	107539N	3/4"
101622X	108076	1/2"

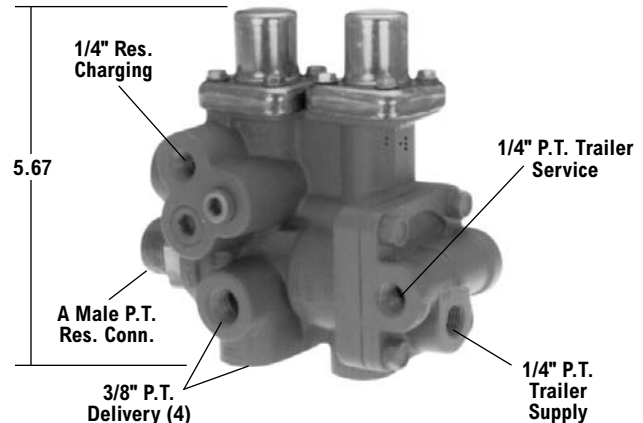


## SR-4™ New Configuration Trailer Spring Brake Valve

- Maintenance Kit 108259

V.M.R.S. 13-010-111

SR-4™ Trailer Spring Brake Valve Svc. New Pc. No.	SR-5™ Trailer Spring Brake Valve Svc. New Pc. No.	A	Comments
107539N	065437	3/4" NPT	with anticomponding
-	065439	1/2" NPT	with anticomponding

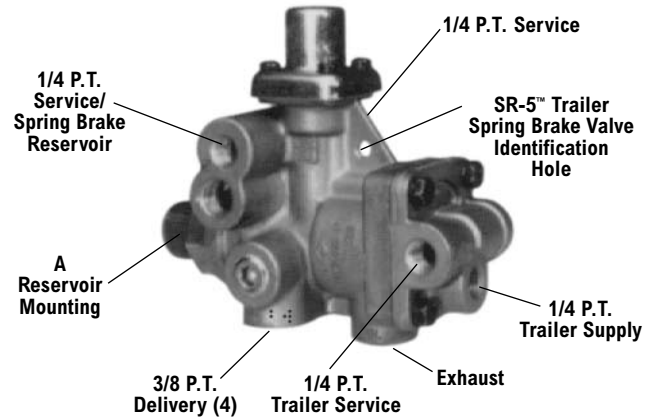


## SR-5™ Trailer Spring Brake Valve

• Maintenance Kit 109015

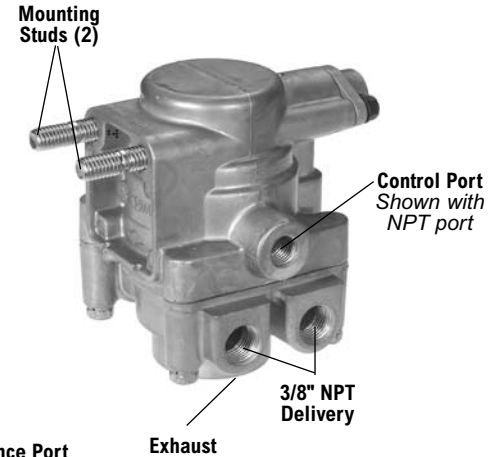
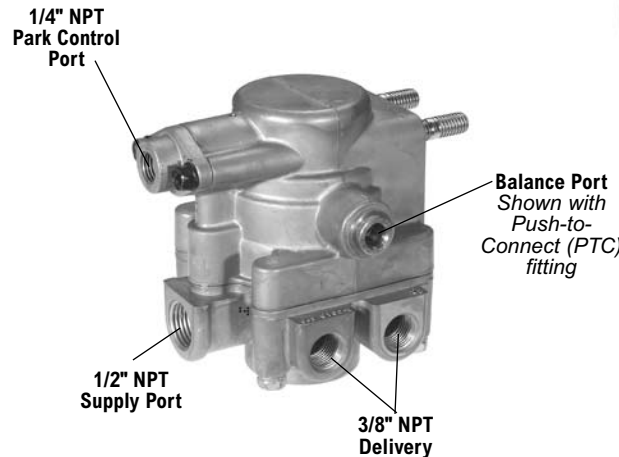
V.M.R.S. 13-010-048

Reman. Exch. Pc. No.	Service New Pc. No.	A Male P.T.	Comments
109615X	065437	3/4"	With Anti-Compounding
109616X	065438	3/4"	—
109617X	065439	1/2"	With Anti-Compounding
109618X	065440	1/2"	—



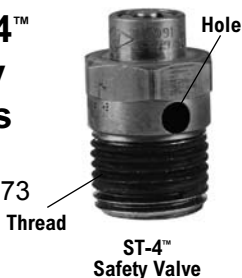
## SR-7™ Valves

Service New Pc. No.	Mounting Stud		Control Port		Balance Port	
	Thd.	Length (in.)	Size	Fitting	Size	Fitting
801328	3/8"-16	.94	1/4" NPT	—	1/4" NPT	—
801329	3/8"-16	.94	3/8" PTC	Straight	3/8" PTC	Straight
801536	3/8"-16	.94	3/8" PTC	90°	3/8" PTC	Straight
801569	M10	1.38	3/8" PTC	90°	3/8" PTC	90°



## ST-3™ & ST-4™ Safety Valves

V.M.R.S. 13-010-073



ST-4™ Safety Valve Pc. No.	Used in Conjunction with	Pressure Setting	Thread	No. of Holes
800019		150 psi	1/2-14 NPT	2
800154		250 psi	1/2-14 NPT	2
800155		200 psi	1/4-18 NPT	1
800350	Dryer Reservoir Module	150 psi	1/4-18 NPT	1
800533		250 psi	3/4-16 UNF-2A	2
800534		250 psi	M16 x 1.5-6H	2
801116		250 psi	7/8-14 UNF-2A	2



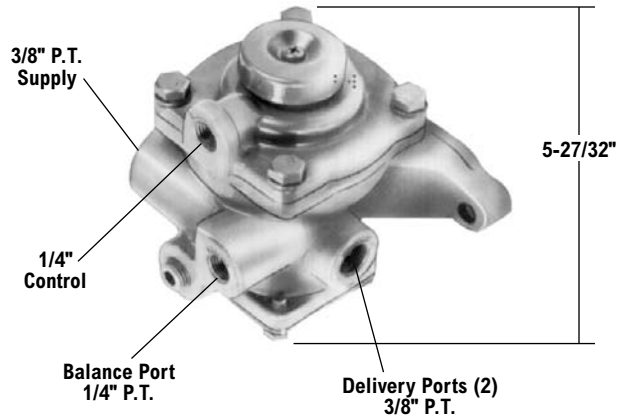
ST-3™ Safety Valve Pc. No.	P.T.	Pressure Setting
284142	1/4	150 P.S.I.
284143	3/8	150 P.S.I.
285849	1/4	175 P.S.I.
285850	1/4	75 P.S.I.

## R-7™ Modulating Valve

- Available Remanufactured Exchange
- Maintenance Kit 283861

V.M.R.S. 13-010-009

Reman. Exch. Pc. No.	Service New Pc. No.	Spring Brake Release Pressure P.S.I.
103081RX	103081N	95

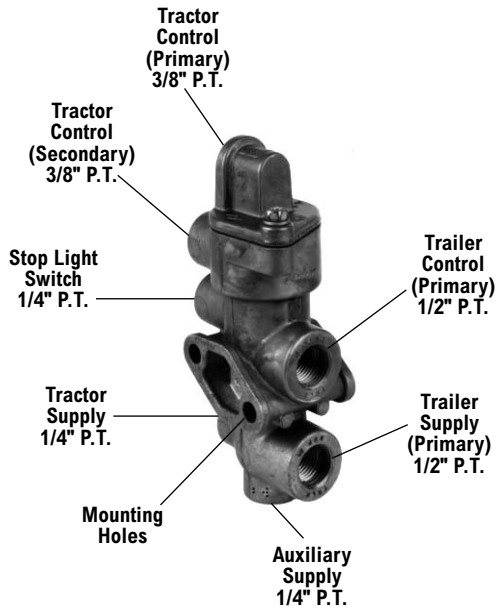


## TP-3DC™ Tractor Protection Valve

- Maintenance Kit 5000073

V.M.R.S. 13-010-016

Service New Pc. No.
065706

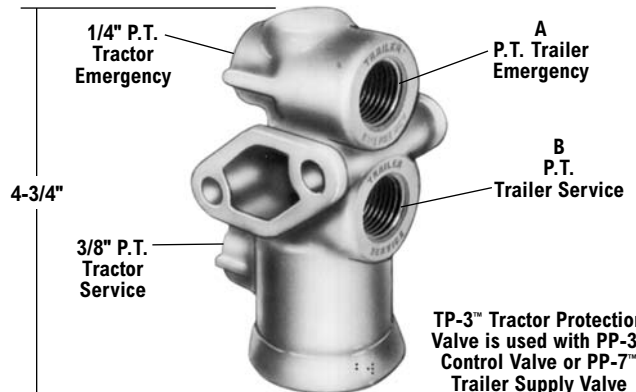


## TP-3™ Tractor Protection Valve

- Available Remanufactured Exchange
- Maintenance Kit 280858N

V.M.R.S. 13-010-016

Reman. Exch. Pc. No.	Service New Pc. No.	A P.T.	B P.T.
279000RX	279000N	1/2"	1/2"
279692X	-	3/8"	3/8"
	280830N	1/2"	



TP-3™ Tractor Protection Valve is used with PP-3™ Control Valve or PP-7™ Trailer Supply Valve

## TP-4™ Tractor Protection Valve

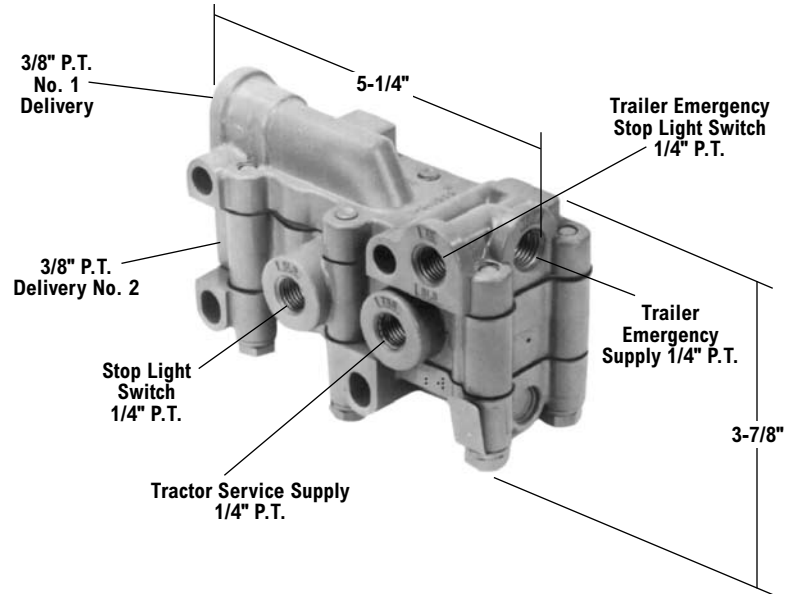
Formerly VM-1™ Control Valve Manifold

- Available Remanufactured Exchange
- Maintenance Kit 283863

V.M.R.S. 13-010-114

Reman. Exch. Pc. No.	Service New Pc. No.
288301RX	288301N

3 Sealing O-Rings Pc. No. 212268 Included with Valve



## TP-5™ Tractor Protection Valve

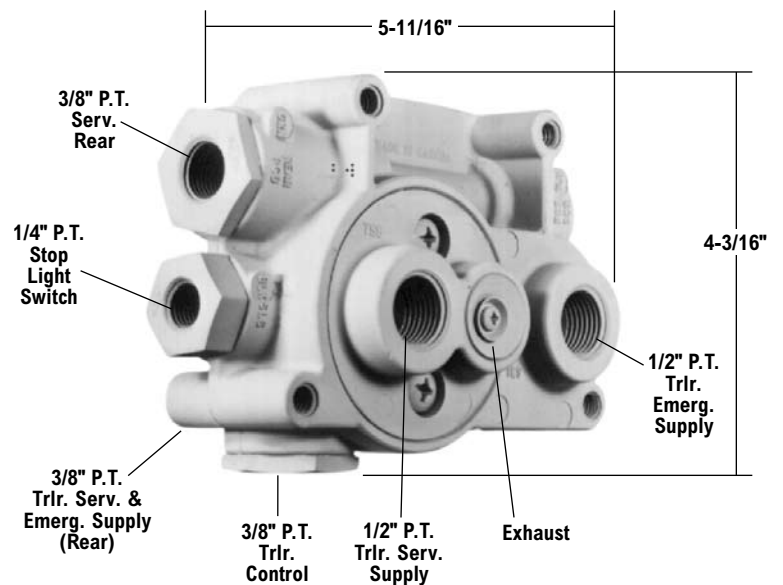
Formerly VM-2™ Control Valve Manifold

- Available Remanufactured Exchange
- Maintenance Kit 289061

V.M.R.S. 13-010-114

Reman. Exch. Pc. No.	Service New Pc. No.
288605RX	288605N
-	*289253N

\*Use 289253N when a Trailer Control (Hand Valve) such as the TC-2™ Brake Valve is not connected to the Trailer Control Port of the TP-5™ Tractor Protection Valve.

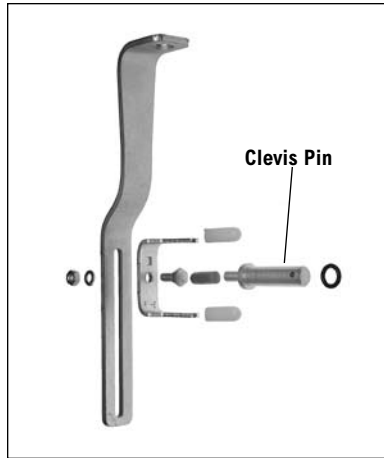


## Valve Changeover

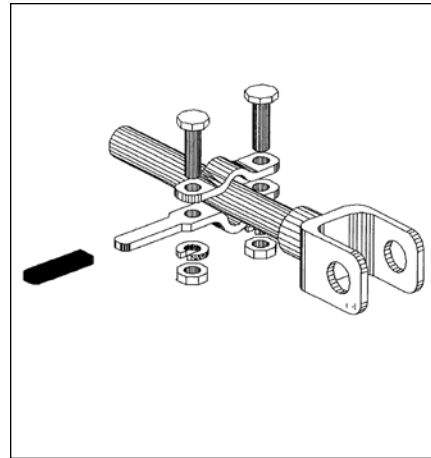
Type/Pc. No.	Bendix Reman.	Type/Pc. No.	Bendix Reman.	Type/Pc. No.	Bendix Reman.
Bendix	Exch. Replacement	Berg	Exch. Replacement	Midland	Exch. Replacement
R-1™ Valve	103009RX	12340	103009RX	A104001	101112RX, 101622X
R-1C™ Valve	103009RX	12341	103009RX	A104002	101112RX, 101622X
R-5™ Valve	102626RX, 103009RX	12342	102626RX, 103009RX	A104003	101112RX, 101622X
R-6™ Valve	102626RX, 103009RX	12343	102626RX, 103009RX	A104010	101112RX, 101622X
R-8™ Valve	103010RX	12344	102626RX, 103009RX	KN20541	101112RX, 101622X
R-12™ Valve	102626RX	12345	102626RX, 103009RX	KN28060	103009RX
R-12H™ Valve	103009RX	12346	103009RX	KN28061	103009RX
R-14™ Valve	103028RX	12352	101112RX & 102626RX	KN28071	103010RX
R-14H™ Valve	103010RX	12360	101112RX, 101622X	KN28132	103009RX
RE-6™ Valve	281865RX	A86473	102626RX	KN28140	103010RX
SR-1™ Valve	286364RX	A86477	102626RX		
SR-2™ Valve	287376RX				
SR-4™ Valve	101112RX				
		<b>Kelsey Hayes</b>		<b>Sealco</b>	
		5468	103009RX	9125	102626RX, 103009RX
		5470	102626RX	A1100	102626RX
				<b>Wagner</b>	
				A78882	102626RX, 103009RX
				A78887	102626RX, 103009RX
				A88802	101112RX, 101622X
				A88812	101112RX, 101622X
				A98730	101112RX, 101622X
				A98731	101112RX, 101622X
				A98732	101112RX, 101622X

## Slack Adjusters 05

## SureStroke™ Indicator



Clevis Pin Style



Clamp Pin Style

Piece No.	Stroke/Travel	Chamber Sizes*	Clevis Pin Dia.	Comments
<b>Power Units</b>				
PU175	1.75"	Type 16, 20 & 24	1/2"	
PU200	2.00"	Type 30, 16L, 20L & 24L	1/2"	
PU250	2.50"	Type 24L & 30L	1/2"	
PU175CP	1.75"	Type 16, 20 & 24	–	Clamp Pin
PU200CP	2.00"	Type 30	–	Clamp Pin
PU250CP	2.50"	Type 24L & 30L	–	Clamp Pin

Piece No.	Stroke/Travel	Chamber Sizes*	Clevis Pin Dia.	Comments
<b>Trailer</b>				
TL200	2.00"	Type 30	1/2"	
TL250	2.50"	Type 30L	1/2"	
TL200CP	2.00"	Type 30	–	Clamp Pin
TL250CP	2.50"	Type 30L	–	Clamp Pin

\*L – denotes long stroke

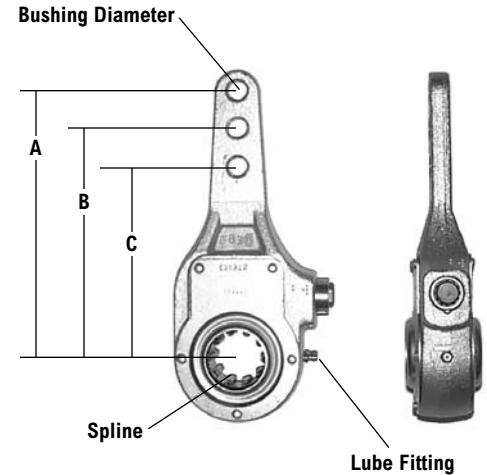
## Straight Arm

V.M.R.S. 13-001-030 (FRONT)  
13-002-028 (REAR)

### Selecting A Slack Adjuster

1. Determine if straight or offset arm. If offset determine if RH or LH is needed.
2. Identify spline size (diameter and number of teeth).
3. Select model needed.
4. Determine the arm hole used (if slack contains more than one).
5. Identify bushing diameter.

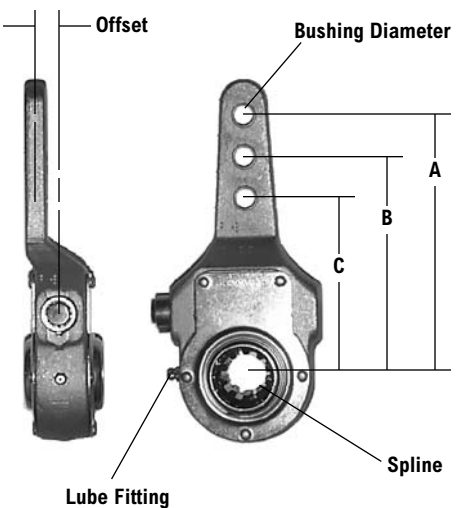
Service New Pc. No.	SAE Torque Rating-lbs	Spline	Teeth	Arm Length (In.)			Bushings Dia.	Lube Fitting	Fitting Direction
				A	B	C			
278302	26,000	1-1/4"	10	5.5	4.5	—	0.5	Straight	Straight
278305	26,000			7.0	6.0	5.0			
278323N	26,000	1-1/2"	10	7.0	6.0	5.0	0.5	Straight	Straight
278326N	26,000			6.5	5.5	4.5			
278008	30,000			6.5	5.5	—			
278010N	30,000			6.0	5.0	—			
278045N	30,000			7.0	6.0	5.0			
279634N	30,000			7.75	6.75	—			
101827N	26,000	1-1/2"	10	6.0	—	—	0.625	90 Deg. Straight	Left
277959N	26,000			6.5	5.5	—			
102110N	30,000			6.5	5.5	—			
278016N	30,000			6.5	5.5	—			
278017N	30,000			6.0	5.0	—			
278035N	30,000			7.5	5.5	—			
288282	26,000			1-1/2"	28	7.0			
286965N	26,000	6.0	5.0			—			
288753N	26,000	6.5	5.5			—			
287899N	30,000	6.5	5.5			—			
101133N	26,000	1-1/2"	28			6.0	5.0	—	0.625
101134	26,000			6.5	5.5	—			
101289N	26,000			6.5	5.5	—			
101290N	26,000			6.0	5.0	—			
101214N	30,000			6.5	5.5	—			
101215N	30,000			6.0	5.0	—			
101216N	30,000			7.0	—	—			
283411	26,000			1-5/8"	37	6.0	—	—	



## Offset Arm

Left Hand (LH) Shown – Right Hand (RH) Opposite

Service New Pc. No.	SAE Torque Rating-lbs	Spline	Teeth	Arm Length (In.)			Bushings Dia.	Lube Fitting	Offset	Handed						
				A	B	C										
278288	26,000	1-1/4"	10	6.0	5.0	4.0	0.5	Straight	0.625	RH						
278289				6.0	5.0	4.0				LH						
278294N				5.5	4.5	—				RH						
278295				5.5	4.5	—				LH						
278252	26,000	1-1/2"	10	5.5	4.5	—	0.5	Straight	0.625	RH						
278253				5.5	4.5	—				LH						
279300N				5.25	—	—				RH						
279301N				5.25	—	—				LH						
279946N				7.0	6.0	—				RH						
279947N				7.0	6.0	—				LH						
280424				6.0	5.0	4.0				RH						
280425				6.0	5.0	4.0				LH						
282560				6.5	5.5	—				RH						
282561				6.5	5.5	—				LH						
279309				20,000	1-1/2"	10				5.75	—	—	0.5	Straight	1.5	LH
279350										7.0	—	—				RH
279351N	7.0	—	—				LH									
288539N	6.5	5.5	—				RH									
288540N	6.5	5.5	—				LH									
288541N	6.0	5.0	—				RH									
288542N	6.0	5.0	—	LH												
101413N	20,000	1-1/2"	28	5.5	—	—	0.5	Straight	1.5	LH						
101414N				5.5	—	—				RH						
287896				6.5	5.5	—				RH						
287897				6.5	5.5	—				LH						



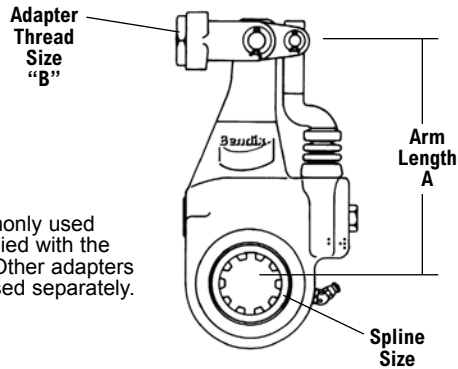
## ASA-5™ Automatic Slack Adjuster

V.M.R.S. 013-001-030 (FRONT)  
013-002-028 (REAR)

### ASA-5™ Automatic Slack Adjuster Maintenance Kits

Kit Pc. No.	Description
107162	1/2" Adapter Kit - Quick Connect
107161N	5/8" Adapter Kit - Quick Connect
107157	Quick Connect Yoke Kit (Straight)
107159	Quick Connect Yoke Kit (Offset)
107158	Easy-On Yoke Kit (Straight)
107160	Easy-On Yoke Kit (Offset)

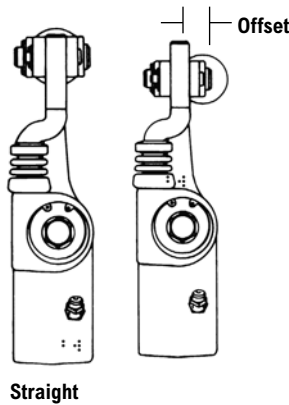
Refer to Service Parts Catalog for Kit Contents



The most commonly used adapter is supplied with the slack adjuster. Other adapters may be purchased separately.

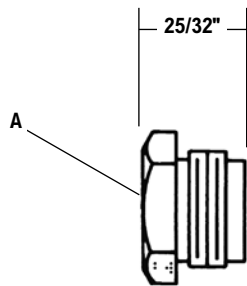


ASA-5™ Automatic Slack Adjuster Exterior



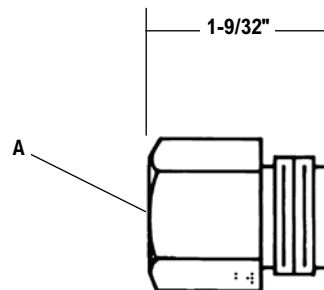
All offset slack adjusters are provided as shown. If the opposite offset is needed remove the yoke and rotate 180°.

## Standard Adapter



Service New Pc. No.	A Push Rod Thread Size
291452N	5/8"-18 UNF
292756N	1/2"-20 UNF

## Extended Adapter



Service New Pc. No.	A Push Rod Thread Size
297700N	5/8"-18 UNF
297701N	1/2"-20 UNF





ASA-5™ Slack Adjuster Service Assy. Pc. No.	Arm Length A	Adapter Thread Size B	Yoke Offset	Service Parts/Kits		Comments
				Adapter	Yoke	
<b>1 1/4"-10C Spline</b>						
065162	5"	1/2-20	5/8"	292756N	107160	
065163	5-1/2"	5/8-18	5/8"	291452N	107160	
065244	5-1/2"	1/2-20	5/8"	292756N	107160	
065164	5-1/2"	1/2-20	Straight	292756N	107158	
801351	5-1/2"	5/8-18	Straight	291452N	107158	
801359	5"	5/8-18	5/8"	291452N	107160	
<b>1 1/4"-24 Spline</b>						
065166	5"	1/2-20	5/8"	292756N	107160	
065167	5-1/2"	5/8-18	Straight	291452N	107158	
065274	5-1/2"	1/2-20	Straight	292756N	107158	
065306	5-1/2"	1/2-20	5/8"	292756N	107160	Worm Gear Incorporates a lubrication passage
065335	5-1/2"	1/2-20	Straight	292756N	107158	Worm Gear Incorporates a lubrication passage
065403	5-1/2"	5/8-18	Straight	291452N	107158	Worm Gear Incorporates a lubrication passage
801357	5"	5/8-18	5/8"	291452N	107160	
<b>1 1/2"-10C Spline</b>						
065168	5"	1/2-20	Straight	292756N	107158	
065169	5-1/2"	1/2-20	5/8"	292756N	107160	
065170	5-1/2"	5/8-18	Straight	291452N	107158	
065172	6"	5/8-18	Straight	291452N	107158	
065344	6"	5/8-18	Straight	291452N	107158	Worm Gear Incorporates a lubrication passage
065488	5-1/2"	5/8-18	5/8"	291452N	107160	Worm Gear Incorporates a lubrication passage
065508	5"	5/8-18	Straight	291452N	107158	Worm Gear Incorporates a lubrication passage
065700	5-1/2"	5/8-18	Straight	291452N	107158	Worm Gear Incorporates a lubrication passage
801352	5"	5/8-18	Straight	291452N	107158	
801353	5-1/2"	1/2-20	Straight	292756N	107158	
801358	5-1/2"	5/8-18	5/8"	291452N	107160	
<b>1 1/2"-28 Spline</b>						
065173	5"	1/2-20	Straight	292756N	107158	
065174	5-1/2"	5/8-18	Straight	291452N	107158	
065175	6"	5/8-18	Straight	291452N	107158	Worm Gear Incorporates a lubrication passage
065176	6"	5/8-18	Straight	291452N	107158	
065221	5-1/2"	1/2-20	Straight	292756N	107158	Worm Gear Incorporates a lubrication passage
065245	5-1/2"	1/2-20	5/8"	292756N	107160	Worm Gear Incorporates a lubrication passage
065247	5-1/2"	5/8-8	Straight	291452N	107158	Worm Gear Incorporates a lubrication passage
065276	6"	1/2-20	5/8"	292756N	107160	Worm Gear Incorporates a lubrication passage
801354	5"	5/8-18	Straight	291452N	107158	
801355	5-1/2"	1/2-20	Straight	292756N	107158	
801356	6"	1/2-20	Straight	292756N	107158	
<b>1 5/8"-37 Spline</b>						
065177	6"	5/8-18	Straight	291452N	107158	
065178	5-1/2"	5/8-18	Straight	291452N	107158	
065179	6"	5/8-18	Straight	291452N	107158	Worm Gear Incorporates a lubrication passage
065182	5-1/2"	5/8-18	Straight	291452N	107158	Worm Gear Incorporates a lubrication passage

The easy-on-yoke assemblies are standard on the ASA-5™ service basic slack adjusters, however, early production assemblies may contain the quick connect yoke.

If the quick connect yoke is required it must be purchased separately and installed by the customer.

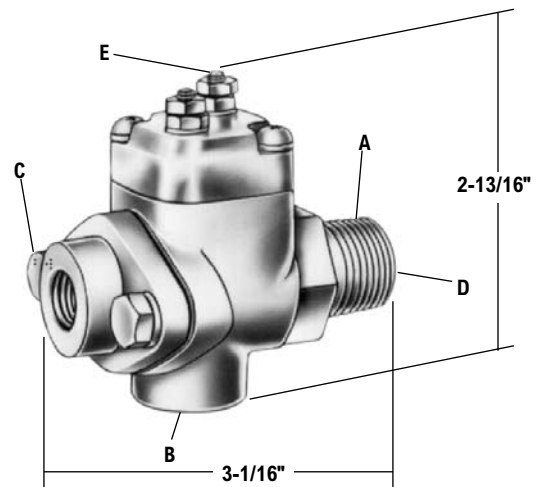
All ASA-5™ slack adjusters are supplied with a 45° lube fitting unless otherwise noted.

## DS-1™ Combined Stop Light Switch Double Check Valve

- Available Remanufactured Exchange
- Field Maintenance Kit 276142

V.M.R.S. 13-010-038

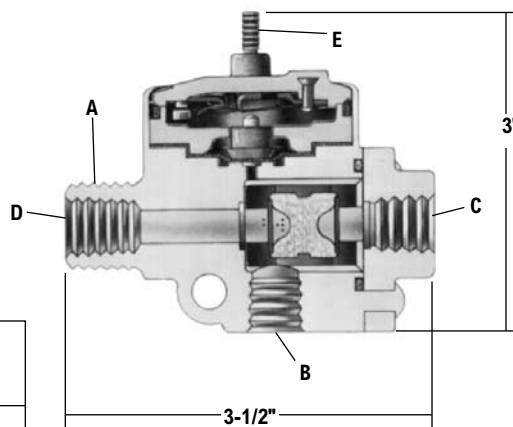
Reman. Exch. Pc. No.	Service New Pc. No.	A Male P.T.	B Female P.T.	C Female P.T.	D Female P.T.	E Terminal Thread
228050RX	228050N	1/2"	1/4"	1/4"	–	8-32
228165RX	228165N	3/8"	1/4"	1/4"	–	8-32
228520RX	228520N	1/2"	3/8"	1/4"	–	8-32
229493RX	–	1/2"	1/4"	1/4"	1/4"	8-32



## DS-2™ Combined Stop Light Switch Double Check Valve

V.M.R.S. 13-010-038

Service New Pc. No.	A Male P.T.	B Female P.T.	C Female P.T.	D Female P.T.	E Terminal Thread
104563	3/8"	3/8"	1/4"	–	8-32
286452N	3/8"	3/8"	3/8"	–	8-32
286453N	3/8"	3/8"	3/8"	–	10-32
286704	–	3/8"	3/8"	3/8"	10-32

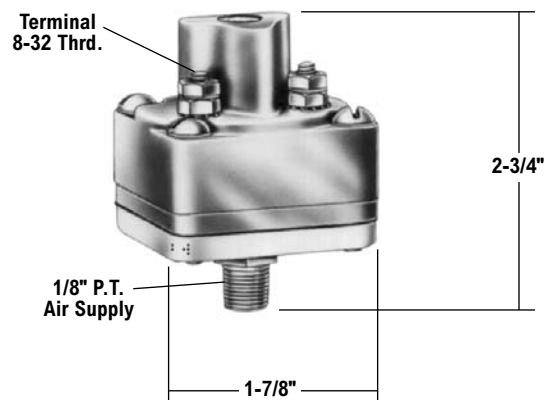


## TE-1™ Trailer Emergency Stop Light Switch

V.M.R.S. 34-002-008

Service New Pc. No.
228477

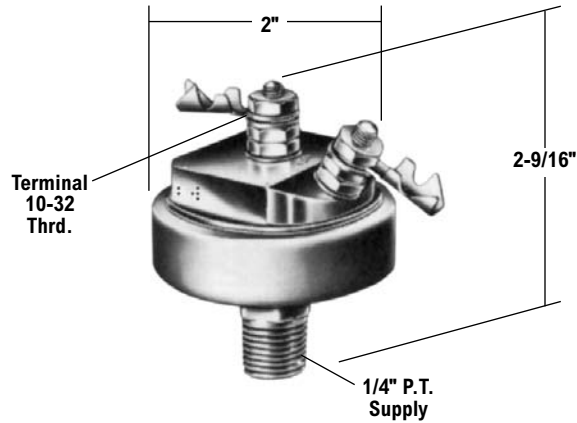
Circuit between terminals to be closed from 60 PSI to 0 PSI



## SL-3™ Stop Light Switch

V.M.R.S. 34-002-008

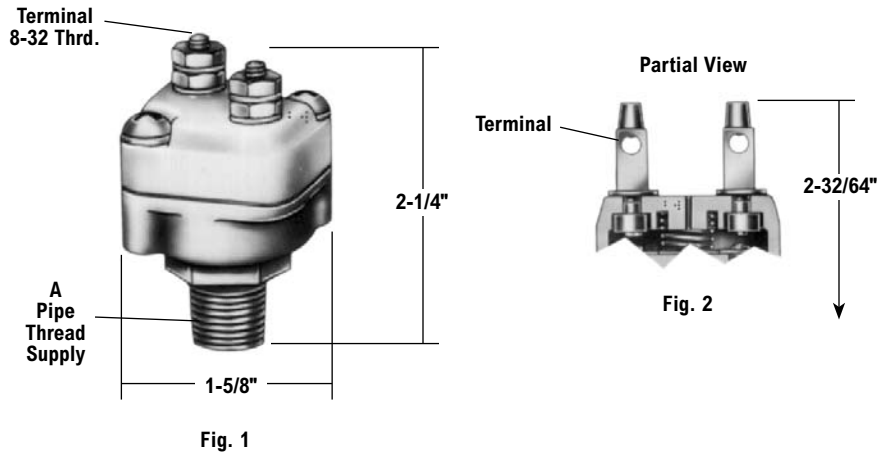
<b>Service New Pc. No.</b>
226262N



## SL-4™ Stop Light Switch

V.M.R.S. 34-002-008

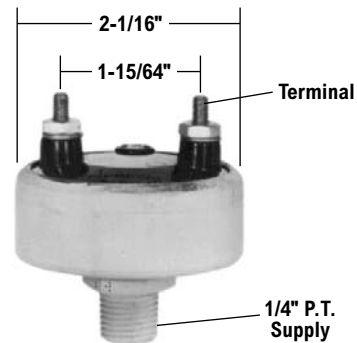
Service New Pc. No.	A Pipe Thread	Fig. No.
228600	1/4"	1
228687N	3/8"	1
228688	1/4"	2



## SL-5™ Stop Light Switch

V.M.R.S. 34-002-008

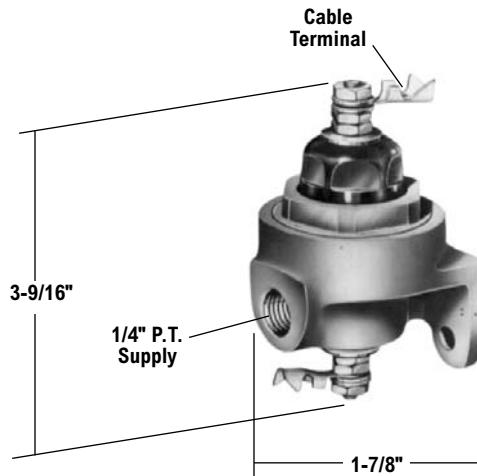
Service New Pc. No.	Terminal Thread Size
286392N	8-32
286404N	10-32



## LP-2™ Low Pressure Indicator

V.M.R.S. 03-001-037

Service New Pc. No.	Cut-Out Pressure P.S.I.	Remarks
223578N	60 + 5 - 0	
224044	70 ± 6	Without Cable Terminal
288408	60 ± 6	Weatherproof



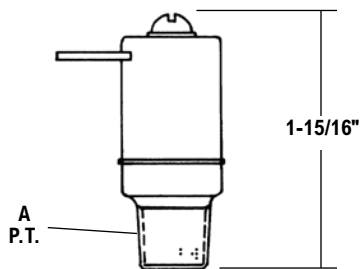
## LP-3™ Low Pressure Indicator

V.M.R.S. 03-001-037

### Single Terminal

Service New Pc. No.	Cut-Out Pressure P.S.I.	A Pipe Thread
*104246N	66 ± 6	1/4"
279416N	60 ± 6	1/4"
279472	75 ± 6	1/4"
280530N	70 ± 6	1/4"
289397N	75 ± 6	1/8"

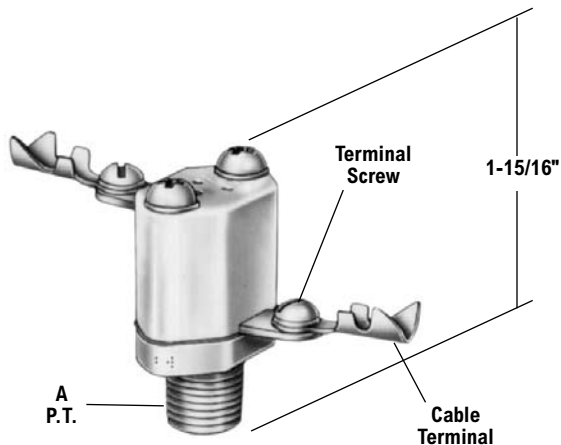
\*Push on terminal



### Double Terminal

Service New Pc. No.	Cut-Out Pressure P.S.I.	A Pipe Thread	Comments
228750N	60 ± 6	1/4"	
**275083N	-	1/4"	
276599N	30 ± 3	1/4"	
277155N	50 ± 5	1/4"	
*280743N	60 ± 6	1/4"	w/o cable terminal
284793N	80 ± 6	1/4"	w/o cable terminal
284833N	70 ± 6	1/4"	w/o cable terminal
283029N	60 ± 6	1/4"	w/o cable terminal
288522	66 ± 6	1/4"	w/o cable terminal

\*\*Pc. No. 275083N has a cut-in pressure of 75 ± 6 PSI



## Air Horn Kits

- Kits Include Horn Valve, Tubing & Fittings

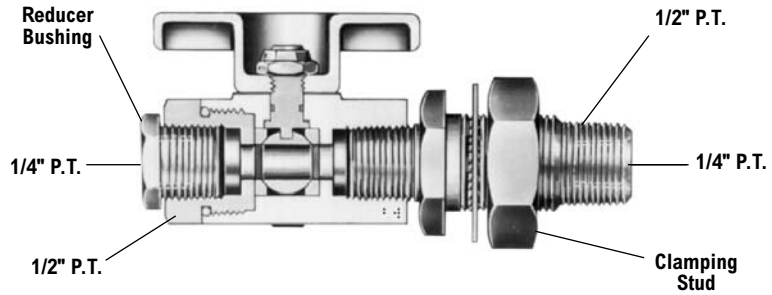


Air Horn Kits	Application Description
207945N	Includes Hand Operated Horn Valve 228013
207946N	Includes Foot Operated Horn Valve 228672

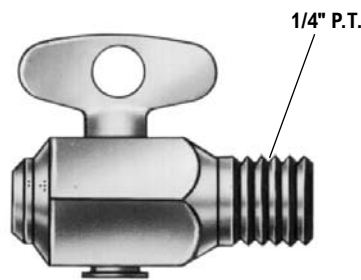
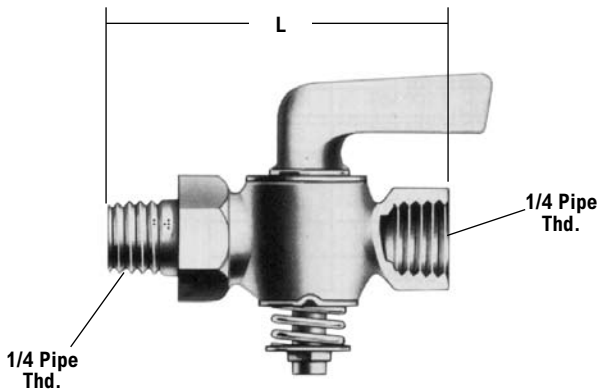
## C-5™ Cut-Out Cocks

• Maintenance Kit 285938

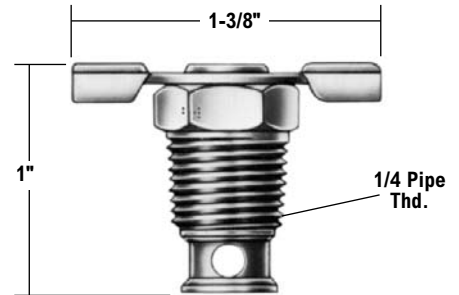
Service New Pc. No.	Clamping Stud Pc. No.	Reducer Bushing Pc. No.
285172N	NONE	NONE
285697	205730N	212741



## Drain Cocks



Pc. No. 103385N



Pc. No. 221121N

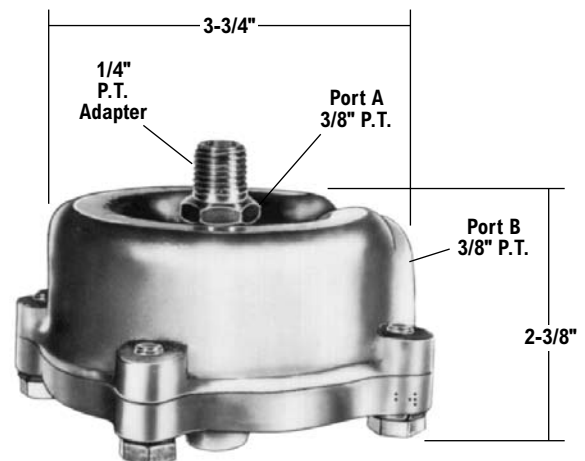
Service New Pc. No.	'L' Length	Comments
220332N	1-7/8"	Closed as shown
226338N	1-7/8"	Open as shown
276068N	2-3/8"	Closed as shown

## DV-2™ Automatic Reservoir Drain Valve

• Available Remanufactured Exchange  
• Maintenance Kit 282134

V.M.R.S. 13-010-007

Reman. Exch. Pc. No.	Service New Pc. No.	Port A		Port B	
		Adapter Pc. No.	Pipe Plug Pc. No.	Adapter Pc. No.	Pipe Plug Pc. No.
281923RX	281923N	293248N	—	—	233057N
281924RX	281924N	—	233057N	293248N	—
*284412RX	*284412N	293248N	—	—	233057N
—	*284795N	—	233057N	293248N	—



\*With Heater

## Copper Tubing and Tubing Clamps

V.M.R.S. 13-010-053

Tubing Outside Diameter	Tubing Length	Carton of Coiled Copper Tubing Pc. No.
1/4"	25 Ft.	279567
1/4"	50 Ft.	279568
5/16"	25 Ft.	279569
5/16"	50 Ft.	279570
3/8"	25 Ft.	279571
3/8"	50 Ft.	279572
1/2"	25 Ft.	279573
1/2"	50 Ft.	279574
5/8"	25 Ft.	279575
3/4"	25 Ft.	279576

All tubing above conforms with SAE Spec. J844.

For Tubing O.D. Size	Tubing Clamp (Rubber Covered) Pc. No.
1/4"	232821N
5/16"	232822N
3/8"	232823N
1/2"	232824N
5/8"	232825
3/4"	232826N
1"	232827

## SAE Standard J844B Type 3 Nylon Tubing

V.M.R.S. 13-010-003

O.D. (Inches)	Wall Thickness (Inches)	Length Feet	Tubing Color	Nylon Tubing Pc. No.
1/8	.023	100	Black	249094
1/8	.023	1000	Black	112429
1/4	.040	100	Black	246113
1/4	.040	250	Black	246114
1/4	.040	100	Red	248441
1/4	.040	100	Yellow	248442
1/4	.040	100	Green	248443
1/4	.040	1000	Black	291995
5/16	.046	100	Black	249095
3/8	.062	100	Black	246115N
3/8	.062	250	Black	246116
3/8	.062	100	Red	248444N
3/8	.062	100	Yellow	248445
3/8	.062	100	Green	248446
3/8	.062	100	Orange	248447
3/8	.062	500	Black	291996
1/2	.062	100	Black	246117
1/2	.062	250	Black	246118
1/2	.062	100	Red	248448
1/2	.062	100	Green	248449N
1/2	.062	100	Orange	248450
1/2	.062	500	Black	291997
5/8	.092	100	Black	247606
3/4	.092	100	Black	247607
3/4	.092	100	Green	248451

Each carton of Nylon Tubing is designed for self dispensing. Adaptable for use with Standard Air Brake Fittings with the use of inserts.

## Tube Inserts for Nylon Tubing



Can be used with standard Bendix tubing fittings.

For Tube Size O.D.	Service New Pc. No.
1/4"	246088N
5/16"	292802
3/8"	246089N
1/2"	246090N
5/8"	247608
3/4"	246091N

## Standard Nuts and Sleeves



Nut

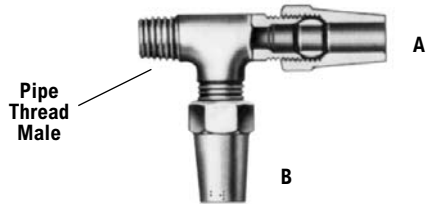


Sleeve

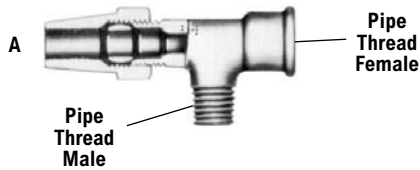
The tubing O.D. size determines the nut and sleeve used.

For Tubing Size O.D.	Nut Pc. No.	Sleeve Pc. No.
1/4"	200455	200457N
5/16"	200363	200364
3/8"	200360N	200361N
1/2"	203755N	203754N
5/8"	210613	210612N
3/4"	203896	203897
1"	203899	203900

## Tubing Fittings (cont.)



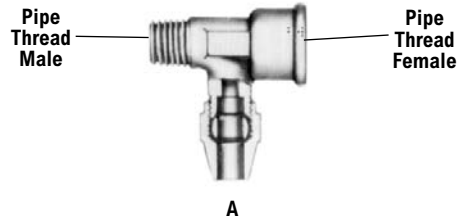
Pipe Thread Male	A Tubing O.D.	B Tubing O.D.	Tee Service New Pc. No.
1/8"	1/4"	1/4"	221978N
1/4"	3/8"	3/8"	205104N
3/8"	3/8"	3/8"	217050
3/8"	3/8"	1/2"	224647N



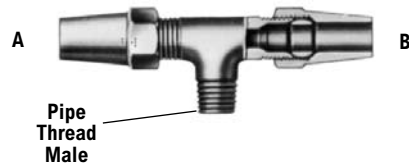
P.T. Female	P.T. Male	A Tubing O.D.	Tee Service New Pc. No.
1/4"	1/4"	3/8"	215954
1/4"	3/8"	1/2"	217640N
3/8"	1/2"	1/2"	275284N



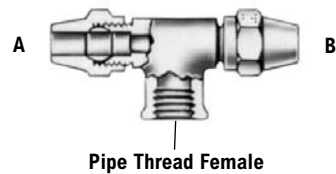
A Tubing O.D.	B Tubing O.D.	Union Service New Pc. No.
1/4"	1/4"	205514
3/8"	3/8"	205134N
1/2"	1/2"	215710
5/8"	5/8"	221826
3/4"	3/4"	216523
1"	1"	216339N



P.T. Female	P.T. Male	A Tubing O.D.	Tee Service New Pc. No.
1/4"	1/4"	3/8"	217619N
1/4"	3/8"	1/2"	224799N
1/2"	3/8"	3/8"	223664



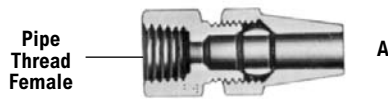
P.T. Male	A Tubing O.D.	B Tubing O.D.	Tee Service New Pc. No.
1/8"	1/4"	1/4"	205182N
1/8"	3/8"	3/8"	217051N
1/4"	1/4"	3/8"	225838
1/4"	3/8"	3/8"	205103N
3/8"	3/8"	3/8"	205177N
3/8"	1/2"	3/8"	224645N
3/8"	1/2"	1/2"	215700
1/2"	1/2"	1/2"	224721N
1/2"	5/8"	5/8"	221982



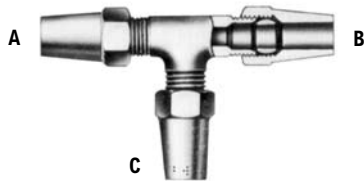
P.T. Female	A Tubing O.D.	B Tubing O.D.	Tee Service New Pc. No.
1/4"	3/8"	3/8"	224681N



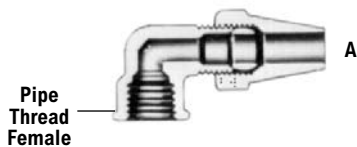
## Tubing Fittings (cont.)



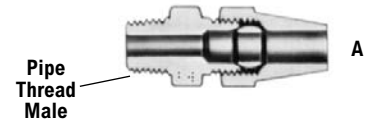
P.T. Female	A Tubing O.D.	Connector Service New Pc. No.
1/8"	1/4"	205101N
1/4"	3/8"	205826
3/8"	3/8"	205827
3/8"	1/2"	215711
1/2"	1/2"	225561
1/2"	5/8"	221987N
1/2"	3/4"	229738N



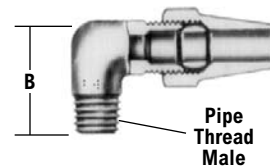
A Tubing O.D.	B Tubing O.D.	C Tubing O.D.	Tee Service New Pc. No.
1/4"	1/4"	1/4"	221979N
3/8"	3/8"	1/4"	225760N
3/8"	3/8"	3/8"	205106N
1/2"	1/2"	3/8"	225836N
1/2"	1/2"	1/2"	215712N
5/8"	5/8"	3/8"	222064N
5/8"	5/8"	5/8"	221984



P.T. Female	A Tubing O.D.	Elbow Service New Pc. No.
1/8"	1/4"	221977N
1/4"	3/8"	205135
3/8"	3/8"	205830
1/2"	5/8"	221983



P.T. Male	A Tubing O.D.	Connector Service New Pc. No.
1/8"	1/4"	205127N
1/8"	3/8"	205509N
1/4"	1/4"	205183N
1/4"	5/16"	205054
1/4"	3/8"	205053
1/4"	1/2"	217690N
3/8"	3/8"	205824N
3/8"	1/2"	217525N
3/8"	5/8"	216685
1/2"	3/8"	222063
1/2"	1/2"	217691N
1/2"	5/8"	216684N
1/2"	3/4"	217621N
3/4"	1/2"	217689N
3/4"	3/4"	215762
3/4"	1"	225786N
1"	1"	215763

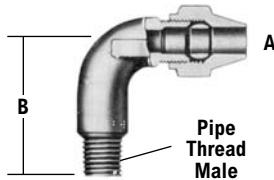


P.T. Male	A Tubing O.D.	B Height to Tubing Center	Elbow Service New Pc. No.
1/8"	1/4"	3/4"	205539N
1/8"	3/8"	31/32"	205522N
1/4"	1/4"	15/16"	224318N
1/4"	3/8"	31/32"	205102N
1/4"	3/8"	1-7/16"	222858N
1/4"	1/2"	1-1/8"	220475N
3/8"	3/8"	15/16"	205829N
3/8"	1/2"	1-1/8"	215709N
3/8"	5/8"	1-5/32"	221993N
1/2"	3/8"	1-5/16"	222062N
1/2"	1/2"	1-5/16"	216310N
1/2"	5/8"	1-3/8"	221825N
3/4"	1/2"	1-5/16"	221536N
3/4"	5/8"	1-5/16"	229108N
3/4"	3/4"	1-3/8"	216520N

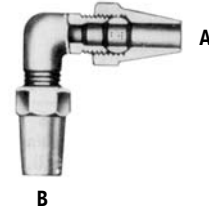
## Tubing Fittings (cont.)



Reducing Bushing Pc. No.	Pipe Thread	
	A	B
<b>Brass</b>		
212862N	3/8"	1/4"
230130N	1/2"	1/4"
230808N	1/2"	3/8"
<b>Steel</b>		
212349N	1/2"	3/8"
234680	3/4"	1/2"



P.T. Male	A Tubing O.D.	B Height to Tubing Center	Elbow Pc. No.
1/8"	3/8"	1-7/8"	215953
1/2"	3/4"	1-3/8"	217504N



A Tubing O.D.	B Tubing O.D.	Elbow Pc. No.
3/8"	3/8"	205113

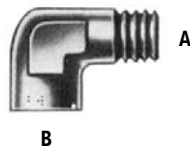


P.T. Male	A Tubing O.D.	Elbow (45°) Pc. No.
1/4"	3/8"	220722N
3/8"	3/8"	220291
3/8"	1/2"	220292
1/2"	3/8"	225650
1/2"	1/2"	227162
1/2"	5/8"	222065

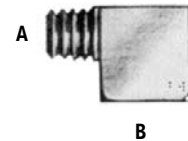
## Miscellaneous Fittings

V.M.R.S. 13-009-016

P.T.		Street Elbow 90° Pc. No.
A	B	
<b>Brass</b>		
1/8"	1/8"	233567
1/4"	1/4"	233568
3/8"	3/8"	233569N
1/2"	1/2"	233570
3/4"	3/4"	233571



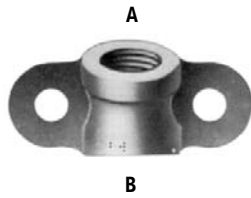
P.T.		Reducing Elbow 90° Pc. No.
A	B	
<b>Brass</b>		
1/8"	1/4"	232871N



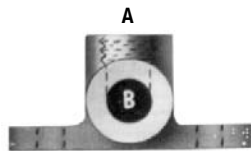
P.T.		Pipe Elbow Pc. No.
A	B	
<b>Brass</b>		
1/4"	1/4"	202915



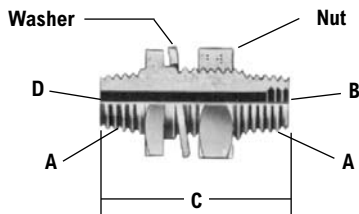
## Miscellaneous Fittings (cont.)



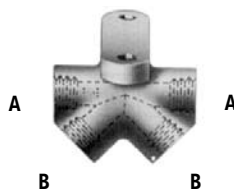
A Pipe Tap	B Pipe Tap	Anchor Elbow Pc. No.
1/4"	1/4"	201030N
3/8"	3/8"	212765N



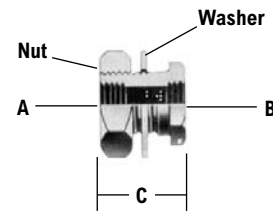
A Pipe Tap	B Pipe Tap	Anchor Elbow Pc. No.
1/4"	1/4"	201010N
3/8"	3/8"	233420N



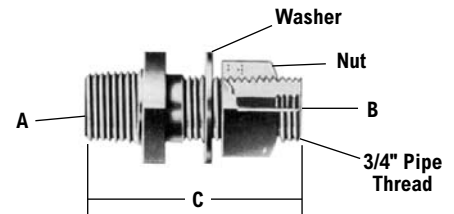
A P.T.	B Pipe Tap	C Length	D Pipe Tap	Clamping Stud Pc. No.
1/2"	1/4"	2-15/16"	-	205730N
1/2"	1/4"	3-15/16"	-	223464
1/2"	1/4"	2-15/16"	1/4"	228146



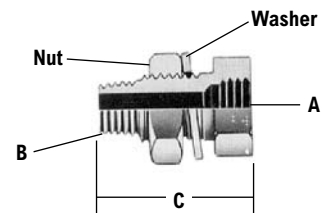
A Pipe Tap	B Pipe Tap	Manifold Fitting Pc. No.
3/8"	1/4"	210398N



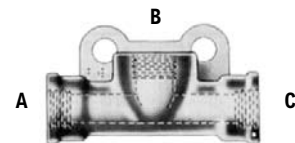
A Pipe Tap	B Pipe Tap	C Length	Anchor Coupling Pc. No.
1/8"	1/8"	1-17/32"	225740N
1/4"	1/4"	31/32"	221204N
1/4"	1/4"	1-17/32"	205465N
3/8"	3/8"	1-5/16"	217709N



A P.T.	B Pipe Tap	C Length	Clamping Stud Pc. No.
1/2"	1/4"	1/8"	205498N
1/2"	1/4"	2-1/2"	205499



A Pipe Tap	B P.T.	C Length	Anchor Coupling Pc. No.
3/8"	3/8"	1-7/8"	215672N

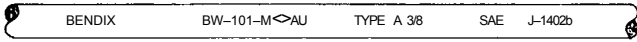


A Pipe Tap	B Pipe Tap	C Pipe Tap	Anchor Tee Pc. No.
1/4"	3/8"	1/4"	231379N
3/8"	3/8"	3/8"	236056N
3/8"	1/2"	3/8"	239727N

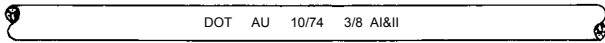
TYPE BW-101-M TYPE A HOSE is standard for all flexible connections in the air brake system where conditions do not require larger hose. They are most commonly used for Brake Chamber Hose connections, or Trailer Hose connections.

Identify by inside and outside diameters and continuous marking on the outside surface.

### 3/8" I.D. TYPE A (FRONT VIEW)



### BACK VIEW



BW-101-M HOSE is available as follows:

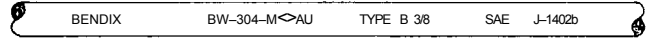
PC. NO.	DESCRIPTION
285496	50 Ft. Coil Carton

**ORDER BY  
PIECE NUMBER**

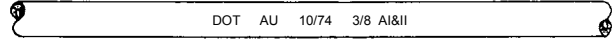
BW-304-M TYPE B HOSE is standard for all flexible connections in the air brake system where conditions do not require larger hose. It is most commonly used for Brake Chamber Hose connections, or Trailer Hose connections.

Identify by inside and outside diameters and continuous markings on the outside surface.

### 3/8" I.D. TYPE B (FRONT VIEW)



### BACK VIEW



BW-304-M HOSE is available as follows:

PC. NO.	DESCRIPTION
277546	50 Ft. Coil Carton
285497	100 Ft. Coil Carton
285498N	250 Ft. Coil Reel

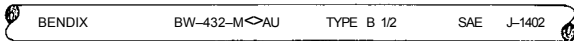
**ORDER BY  
PIECE NUMBER**

TYPE BW-432-M TYPE B HOSE is of similar construction to BW-101-M TYPE B HOSE but has larger inside and outside diameters. It is used in special cases requiring larger hose than the standard Type BW-101-M.

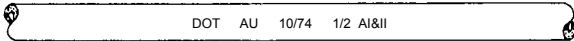
Identify by inside and outside diameters and continuous markings on the outside surface.

BW-127-M HOSE is available in a maximum length of 50 Ft. It is supplied as follows:

### 1/2" I.D. TYPE B (FRONT VIEW)

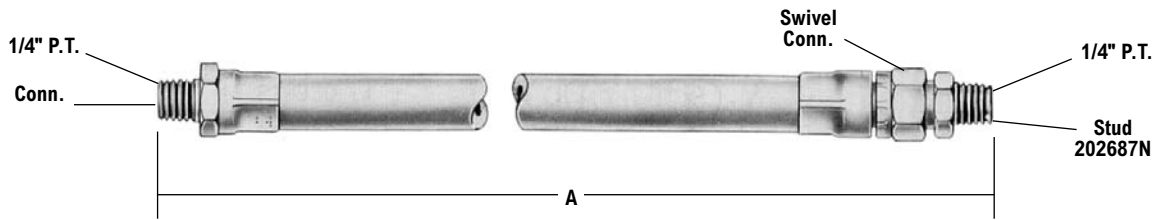


### BACK VIEW



PC. NO.	DESCRIPTION
5005978	100 Ft. Coil Bulk
5005979	250 Ft. Coil Bulk
5006705	50 Ft. Coil Bulk

**ORDER BY  
PIECE NUMBER**



BW-304-M Type B 3/8" I.D. x 3/4" O.D.

3/8" I.D. TYPE B HOSE

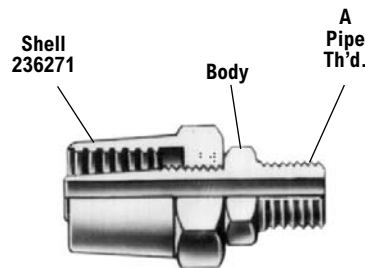
A Overall Length	Hose Assembly Pc. No.	A Overall Length	Hose Assembly Pc. No.	A Overall Length	Hose Assembly Pc. No.	A Overall Length	Hose Assembly Pc. No.
15-1/8	228533	24-7/8	228544N	32	228552	45-1/8	228563
18-5/8	228535	26-7/8	228547	34-3/8	228554	50-1/8	228565
20-3/8	228539	27-5/8	228548	36-1/8	228555	54-1/8	228566
22-5/8	228541N	29-1/8	228549	38-1/8	228557	68-5/8	228567
24-1/8	228472	30-1/8	228550	42-5/8	228561		

FOR 3/4 O.D. x 3/8 I.D. HOSE

### Hose Connector

For BW-101-M & BW-304-M Hose

A P.T.	Hose Connector Pc. No.	Body Pc. No.
1/4"	226134	236268
3/8"	226135	236269
1/2"	226136	236270

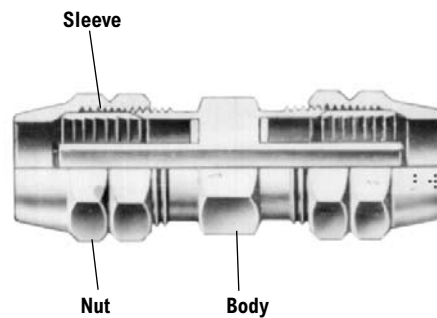


FOR 3/4 O.D. x 3/8 I.D. HOSE

### Hose Union

For BW-101-M & BW-304-M Hose

Hose Union Pc. No.	Body Pc. No.	Sleeve 2 Required Pc. No.	Nut 2 Required Pc. No.
216678	216694	203610N	203624

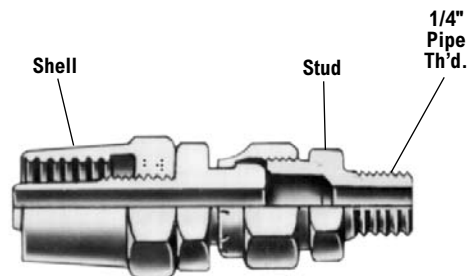


FOR 3/4 O.D. x 3/8 I.D. HOSE

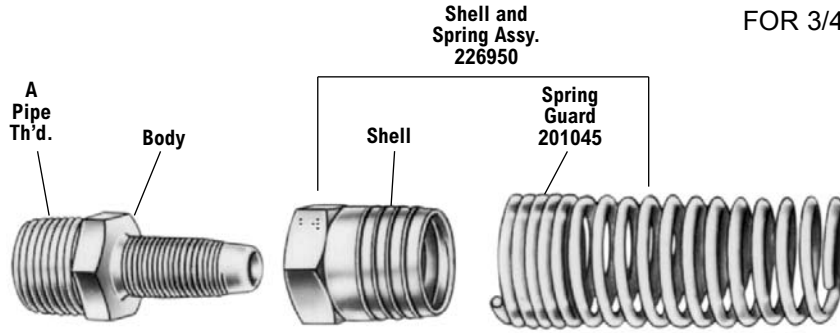
### Hose Connector (Swivel)

For BW-101-M & BW-304-M Hose

Hose Connector (Swivel) Pc. No.	Stud Pc. No.	Shell Pc. No.
226293N	202687N	236271

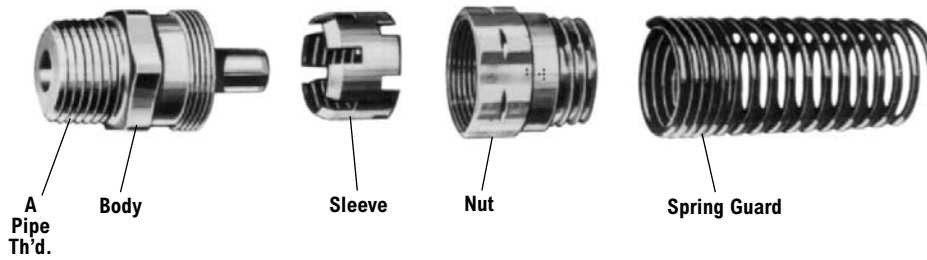


FOR 3/4 O.D. x 3/8 I.D. HOSE



**Hose Connector with Spring Guard For BW-101-M & BW-304-M Hose**

A P.T.	Hose Connector with Spring Guard Pc. No.	Body Pc. No.
1/4"	226137	236268
3/8"	226138	236269
1/2"	226139N	236270



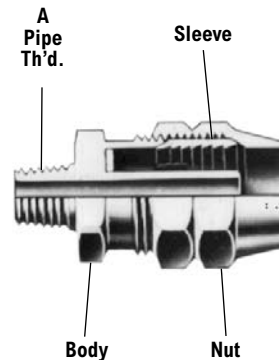
**Hose Connector with Spring Guard**

A P.T.	For Hose	Body Pc. No.	Sleeve Pc. No.	Nut Pc. No.	Spring Guard Pc. No.	Hose Connector with Spring Guard Pc. No.
1/4"	3/8" I.D. Types A & B	215993	203610N	203613	201045	215536N
3/8"	3/8" I.D. Types A & B	233470	203610N	203613	201045	223907N
3/8"	7/16" I.D. Types A & B	216173	204741	204742	204743	216172
1/2"	3/8" I.D. Types A & B	215992	203610N	203613	201045	215535N

## Hose Fittings

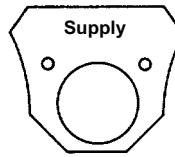
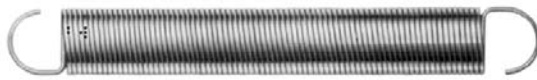
### Hose Connector

A P.T.	For Hose No.	Hose Connector Pc. No.	Body Pc. No.	Sleeve Pc. No.	Nut Pc. No.
1/2"	BW-101 & 304-M	215539	215992	203610N	203624
1/4"	BW-101 & 304-M	215540N	215993	203610N	203624
3/8"	BW-127 & 348-M	217604	216173	204741	212318
3/8"	BW-101 & 304-M	224887	233470	203610N	203624

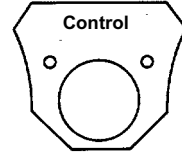


## Hose Suspension Spring

Description	Spring Pc. No.
3/4" Dia.-Std.	200661N
1" Dia.-H.D.	249393
1-1/16" Dia.-H.D.	249394



**Connection Tag**  
For 'Supply' Hose Line  
Pc. No. 201499N



**Connection Tag**  
For 'Control' Hose Line  
Pc. No. 201500N

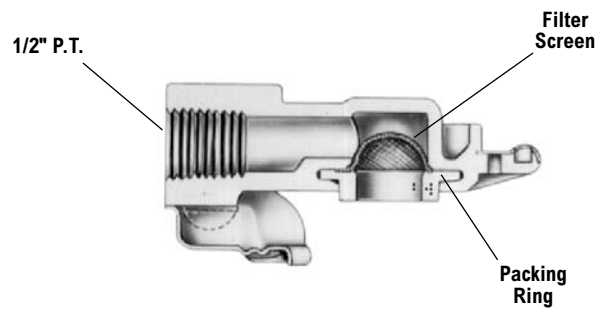
## Hose Couplings

V.M.R.S. 13-010-030  
13-010-031

### Standard Die Cast

Pc. No.	Filter Screen Pc. No.
275150N	NONE
*275824	NONE
278698N	241839N

\* With 1/2" Nipple Pc. No. 212324N



### Filter Screen



Pc. No. 241839N  
Fits All Couplings

### Packing Rings



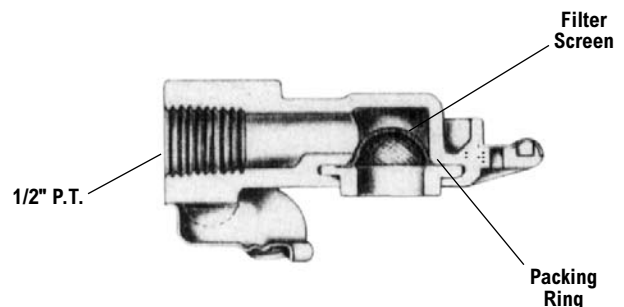
Pc. No. 213630N  
Standard



Pc. No. 248579  
Double Lip  
Fits All Couplings

## TRU-CUPL Hose Couplings

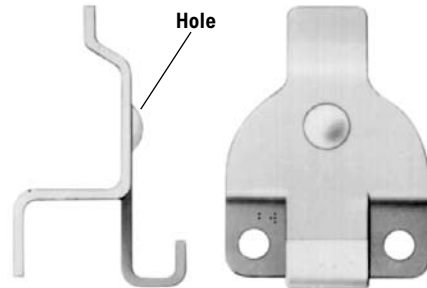
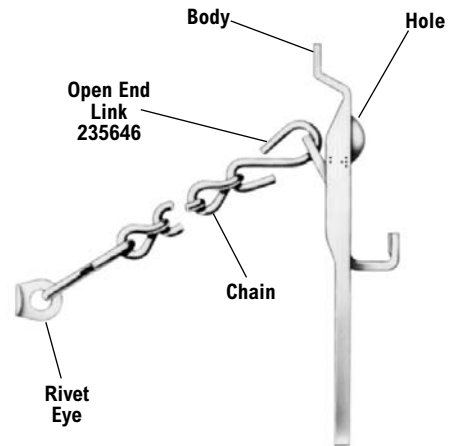
Hose Coupling Pc. No.	Filter Screen Pc. No.	Coupling Type
278850N	NONE	CONTROL
278851N	NONE	SUPPLY
278852N	241839N	CONTROL
278853N	241839N	SUPPLY



## Dummy Couplings

Dummy Coupling with Chain Service New Pc. No.	Rivet Eye	Hole Dia.	Chain Pc. No.
220635N	NONE	1/8"	212930
220636N	NONE	NONE	212930
224810N	INCLUDED	NONE	212930
277994	NONE	NONE	212930

Dummy Coupling Service New Pc. No.	Hole Dia.
212227N	NONE
291991N	3/16"



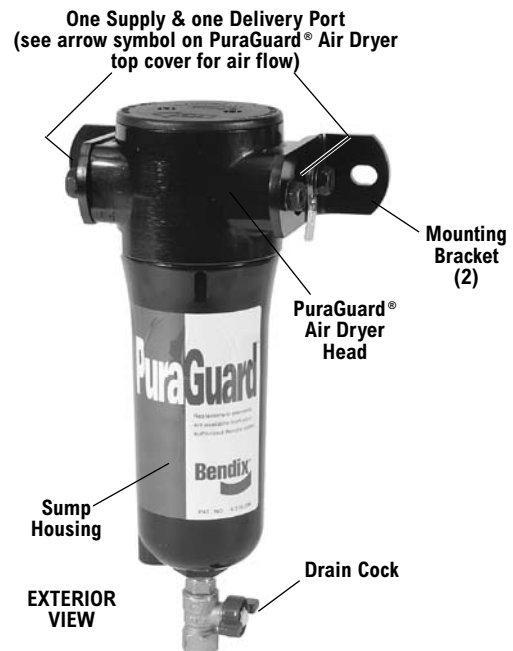
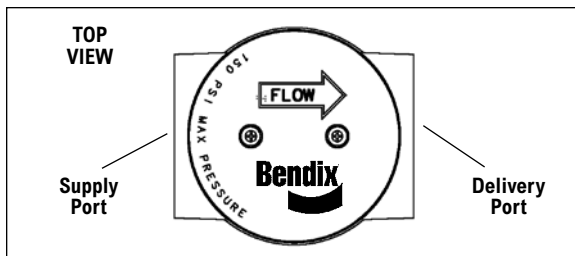
## Air Dryers 08

## PuraGuard® Air Dryer

### PuraGuard® Air Dryer

Service New Pc. No.
800691

- Maintenance Kit..... 5006788
- Rebuild Kit..... 5006789
- Replacement Drain Cock ..... 5013269



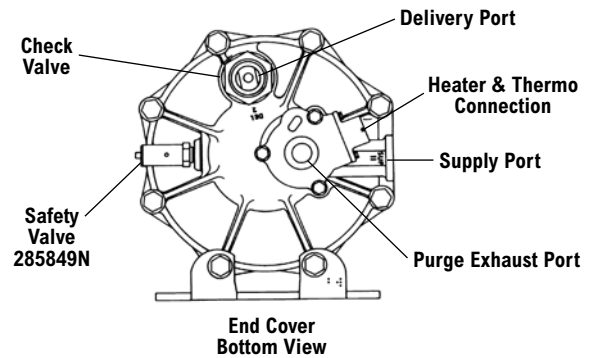
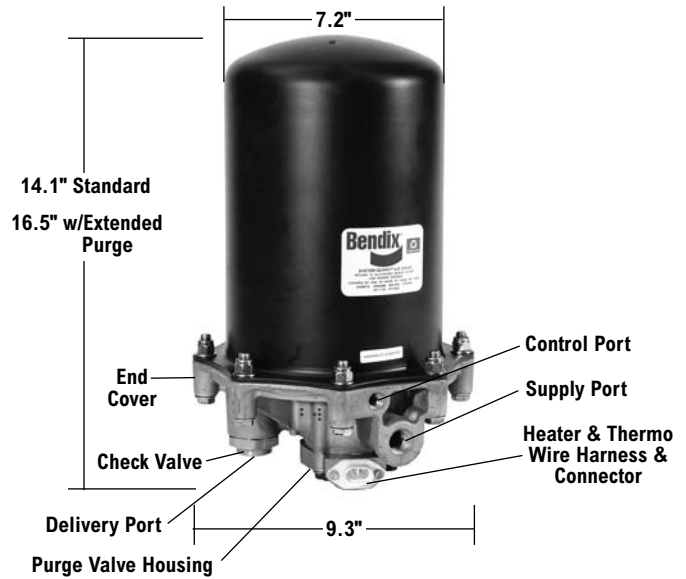


## AD-9™ Air Dryer

- More Desiccant Works Longer
- Compact Size Saves Space
- Remanufactured Exchange

V.M.R.S. 13-010-033

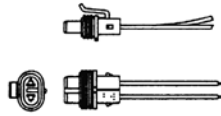
Pc. No.	Description
107796	Service New – Desiccant Cartridge
107794X	Reman. Exchange – Desiccant Cartridge
5004479	Hard Seat Purge Valve Kit 12V-75W
5004480	Hard Seat Purge Valve Kit 24V-75W
5004381	Hard Seat Purge Valve Kit 24V-100W
800405	Soft Seat Purge Valve Kit 12V-75W
5004380	Soft Seat Purge Valve Kit 24V-75W
5004338	Soft Seat Purge Valve Kit 24V-100W
5004339	DLU Purge Valve Kit 12V-75W
5004340	DLU Purge Valve Kit 24V-75W
109578	Heater & Thermostat Kit 12V-75W
109579	Heater & Thermostat Kit 24V-75W
5002595	Heater & Thermostat Kit 24V-100W
109871N	Heater Electrical Splicing Kit
107800N	Check Valve Kit 1/2"
107799	Check Valve Kit 3/4"
5003838	Exhaust Cover Kit
5004224N	Silencer Kit
107695	Bracket Kit
113209	Universal Mounting Plate



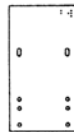
Detail Parts or assemblies not displaying a part number and not contained in a kit ARE NOT AVAILABLE



Exhaust Cover  
Pc. No. 5003838



Wiring Harness & Connector  
Pc. No. 109871N



Universal Mounting Plate  
Pc. No. 113209

Service New Pc. No.	Reman. Exch. Pc. No.	Purge Volume	Purge Valve	Port Size	Heater	Note
065225	109685X	Std.	Hard	1/2"	12V	
065226	109687X	Std.	Hard	3/4"	12V	
800243	–	Std.	Hard	3/4"	24V	
065650	109689X	Std.	Soft	1/2"	12V	
065651	109690X	Std.	Soft	3/4"	12V	
065652	109691X	Std.	Soft	3/4"	24V	
065499	–	Std.	DLU	1/2"	12V	
065605	–	Std.	DLU	3/4"	24V	
065647	–	Std.	Soft	1/2"	12V	Drop In*
065243	5000205X	Extend	Hard	1/2"	12V	
065228	065228RX	Extend	Hard	3/4"	12V	
800686	–	Extend	Hard	1/2"	24V	
065227	109688X	Extend	Hard	3/4"	24V	

\*For use with Holset Series QE Compressors only

## AF-3™ In-Line Filter

Service New  
Pc. No.  
801331



## AD-SP™ Air Dryer

• System Purge

V.M.R.S. 13-010-033

### AD-SP™ Air Dryers & Field Installation Kits

Kit Service New Pc. No.	Voltage
131031	12V
131032	24V

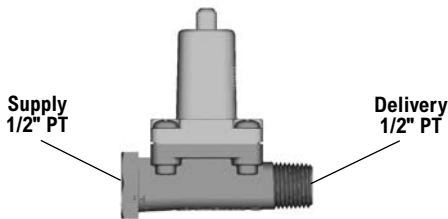
AD-SP™ Reman. Exch. Pc. No.	AD-SP™ Service New Pc. No.	Heater & Thermostat Volts-Watts (See Note 2)
109991X	800887	12v - 90w
109992X	800972	24v - 90w

Note 1: All replacement air dryers include 109871N, wire harness and splice kit.

Note 2: 12 & 24 volt AD-SP™ air dryers are identified by connector color – White = 12v, Gray = 24v

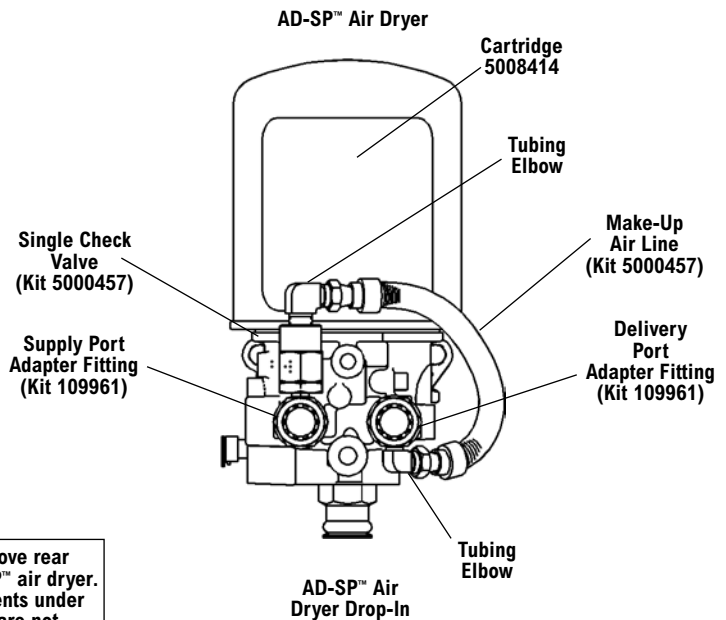
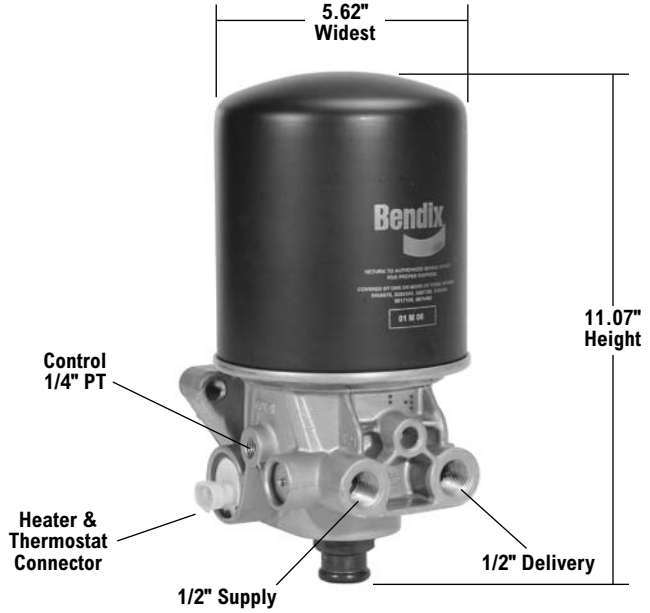
### Maintenance Kits

Desiccant Cartridge Kit .....	5008414
Purge Valve Kit .....	109995
Check Valve Kit .....	5005624
Silencer Kit .....	5004224N
Turbo Cut-off Kit .....	109993
Heater & Thermostat Kit	
• 12V .....	109495
• 24V .....	109496
Wire Harness & Splice Kit .....	109871N



**SC-PR™**  
Single Check Protection Valve – must be used in conjunction with the AD-SP™ Air Dryer  
065677 - Service New  
5000148X - Reman

Do not remove rear cover of AD-SP™ air dryer. The components under the cover are not serviceable.



## AD-4™ Air Dryer



### Service & Reman. AD-4™ Air Dryer Assys.

AD-4™ Air Dryer Reman. Exch. Pc. No.	AD-4™ Service New Pc. No.	AD-9™ Air Dryer Reman. Exch. Pc. No.	Heater Volts	Supply Ports	Comments
065041X	065225	109685X	12	1/2 P.T.	
065102X	065228	–	12	3/4 P.T.	Extended Purge

### Maintenance Kits

Pc. No.	Description
065044X	Reman End Cover 12V 1/2" Ports
102657N	Thermostat Kit (single term.)
103817	Major Kit
103818	Purge Valve Kit
103879	Seal Kit
103980N	End Cover Kit
103981	Desiccant Cartridge Kit
103982	Thermostat Kit (double term.)
104027N	Mounting Bracket Kit
104358RX	Reman. Desiccant Cartridge
288918	Thermostat Cover Kit (single)



## AD-IP™ Air Dryer

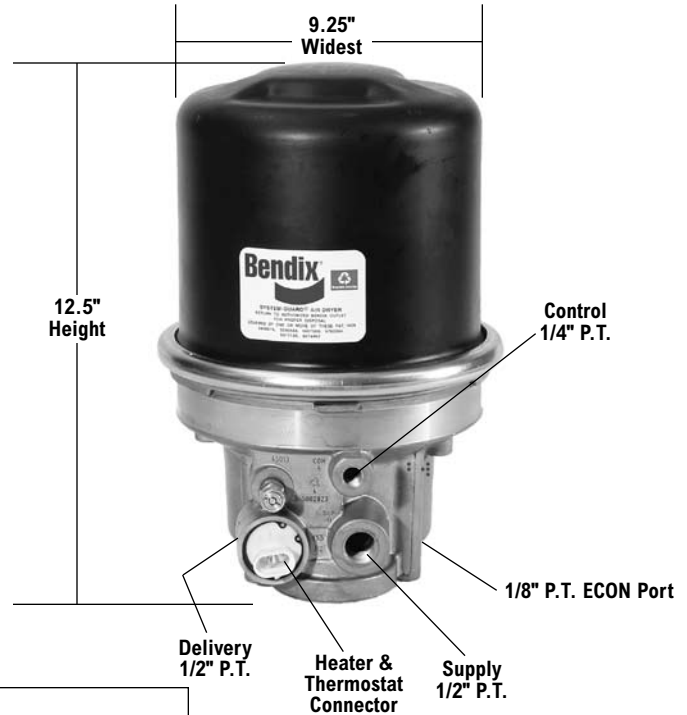
- Integral Purge Air Dryer

V.M.R.S. 13-010-033

### Maintenance Kits

Description	Pc. No.
Desiccant Cartridge Service New	065624
Desiccant Cartridge Remanufactured	109493X
Service Purge Valve	800404
Cartridge Bolt Kit	109498
Delivery Check Vlv. Kit	109494
Heater & Thermo. Kit	
12 Volt	109495
24 Volt	109496
Wire Harness & Splice Kit	109871N
Mounting Bracket Kit	5001247
Purge Valve Maint. Kit	5003547
*Extended Purge Kit	5005309N

\*For extended purge air dryers only



Service New Pc. No.	Reman. Exch. Pc. No.	Supply Port	Delivery Port	Heater & Thermo. Volts-Watt	Comments
065612	109477X	1/2" PT	1/2" PT	12v - 90w	Notes 3, 4, 5, 6
065613	109478X	1/2" PT	1/2" PT	24v - 90w	Notes 3, 4, 5, 6
065693	109503X	1/2" PT	1/2" PT	12v - 90w	Notes 1, 3, 4
800089	5000985X	1/2" PT	1/2" PT	12v - 90w	Notes 2, 3, 4, 5, 6
800618	5006234X	1/2" PT	1/2" PT	24v - 90w	Notes 3, 4, 5, 6, 7
800576	5005556X	1/2" PT	1/2" PT	12v - 90w	Notes 3, 4, 5, 6, 7
800577	5005567X	1/2" PT	1/2" PT	12v - 90w	Notes 2, 5, 7

Extended Purge Kit	Purge Reservoir Capacity (cubic inches)
5005309N	90

Note 1- No upper or lower mounting bracket.

Note 2 - Has 1/8" PT ECON port (plugged). See illustration for port location.

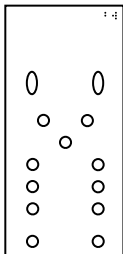
Note 3 - All replacement air dryers include 109871N (wire harness and splice kit).

Note 4 - 12 & 24 volt air dryers are identified by connector color - White = 12v, Gray = 24v

Note 5 - Center to center of slots in both mounting brackets 5.64 inches

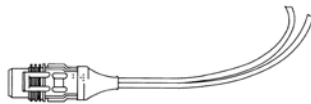
Note 6 - All replacement air dryers include 5001247 (mounting bracket kit)

Note 7 - Extended Purge



**Universal Mounting Plate**

**Pc. No. 113209**  
(Can be used to mount any air dryer to vehicle)



**Wire Harness Assembly**  
(Use Kit 109871N)



**Exhaust Cover 112609**  
(available as a separate item)



### AD-IP™ DI Air Dryer Drop In

Service Pc. No.	Reman. Pc. No.	Supply Port	Delivery Port	Heater & Thermo. Volts-Watt	Comments
800067	5000709X	1/2" PT	1/2" PT	12v - 90w	Notes 1, 2
800168	5001751X	1/2" PT	1/2" PT	12v - 90w	Note 3

Note 1- All replacement air dryers include 109871 (wire harness and splice kit) and 5001247 (mounting bracket kit).

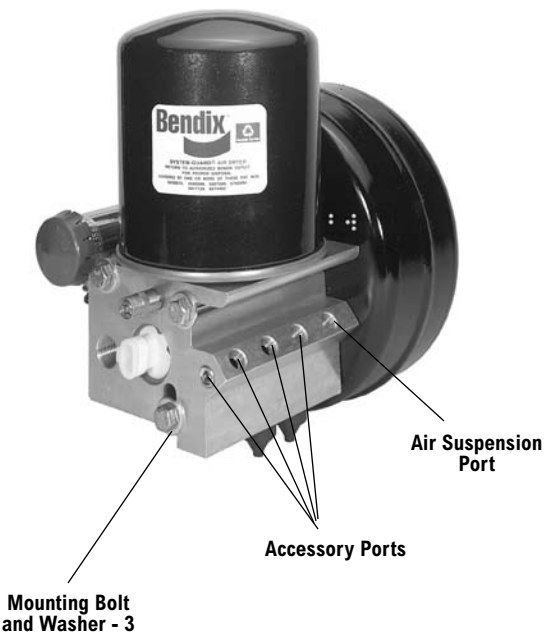
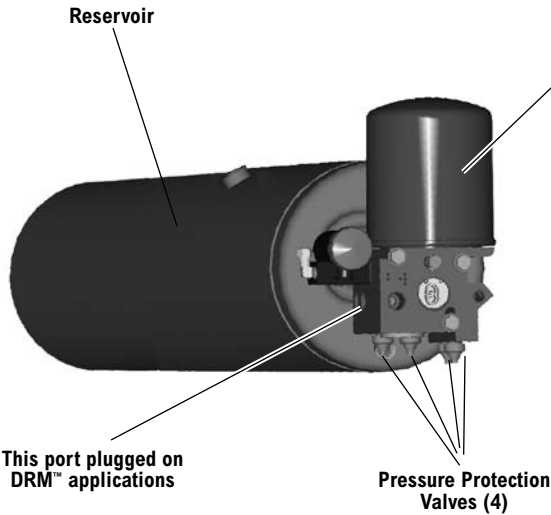
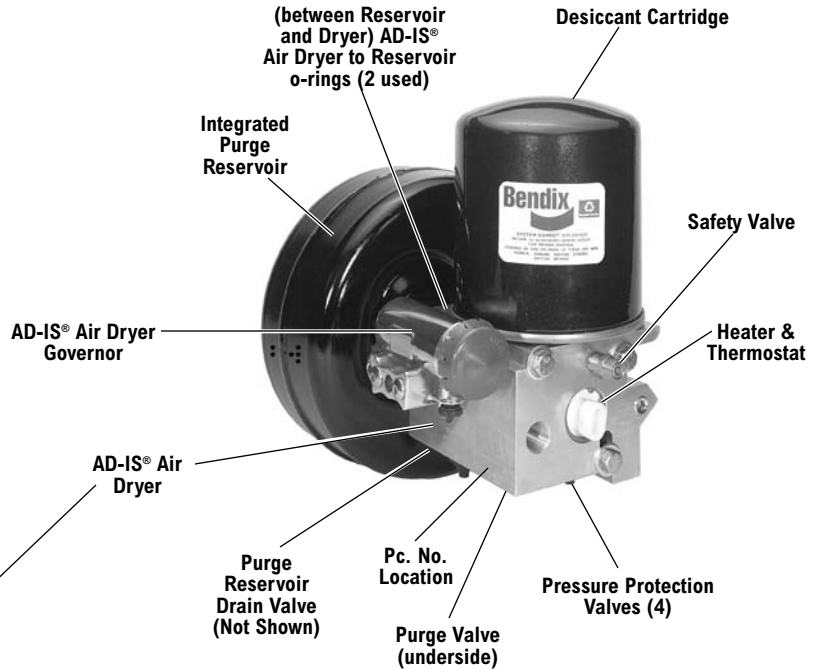
Note 2 - 12 & 24 volt air dryers are identified by connector color - White = 12v, Gray = 24v

Note 3 - Includes ECon Check Valve Kit, Mounting Kit not included

## AD-IS® Air Dryer

• Spin on cartridge

V.M.R.S. 13-010-033



### KITS AND SERVICE PARTS

AD-IS® Air Dryer to Reservoir o-rings (2 used) . . . . .	5002816
Delivery Check Valve Replacement Kit . . . . .	5004052
Desiccant Cartridge Replacement Kit . . . . .	5008414
Governor Adapter . . . . .	5003698
Governor and Check Valve Replacement Kit. . . . .	5004049
Governor Gasket . . . . .	5007834
Heater & Thermostat Replacement (12 volt) . . . . .	109495
Heater & Thermostat Replacement (24 volt) . . . . .	109496
Mounting Bolt Kit . . . . .	5009233
Protective Boots (for pressure protection valves) . . . . .	5005163
Purge Valve Maintenance Kit . . . . .	5003547
Purge Valve Replacement Kit . . . . .	800404
Safety Valve . . . . .	800350
Splash Shield Kit (includes bracket and cover) . . . . .	5006698
Splash Shield Cover . . . . .	5005266N
Wire Retainer (optional for cover) . . . . .	5009653
Wiring Harness & Splice Kit . . . . .	109871N

#### Specialty Kits

Adapter Block and Check Valve Kit . . . . .	5011033
Delivery Check Valve Kit for Adapter Block . . . . .	5011034
Exhaust Cover Kit for Purge Valve. . . . .	5011327
Governor (KB low range) and Check Valve Kit . . . . .	5010935
Purge Valve Replacement Kit - DLU . . . . .	5009650

**NOTE:** There are no kits available for the pressure protection valves. These are not serviceable items - see warning below.

### WARNING:

Do not attempt to adjust or service the Pressure Protection valves. Incorrect pressure protection valve settings can result in automatic application of vehicle spring brakes without prior warning.

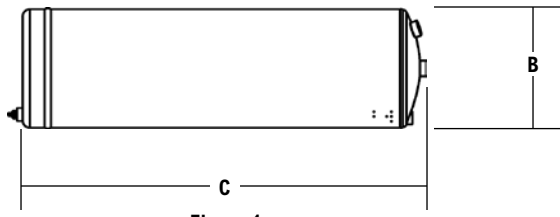


Figure 1

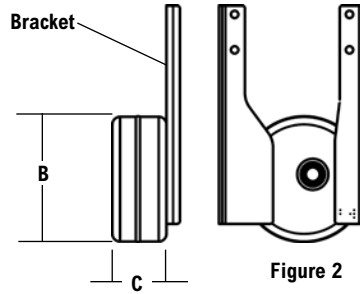


Figure 2

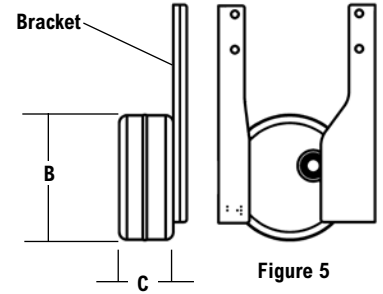


Figure 5

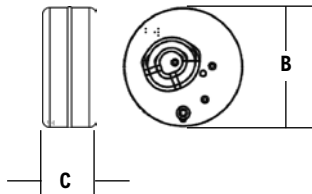


Figure 3

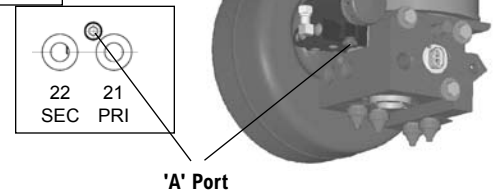
Service and Remanufactured AD-IS® air dryers do not include DRM™ Reservoirs or Purge Volume Reservoirs.

### AD-IS® Air Dryer used on Dryer Reservoir Module (DRM™)

AD-IS® Service New Pc. No.	AD-IS® Reman. Exch. Pc. No.	Pc. No. on AD-IS® Air Dryer (Reference)	'A' Port* Plug	Suspension Port	Accessory Ports (Qty.)	Heater Voltage (90 Watt)
800383	5004050X	5003424	without	1/4" NPT	1/4" NPT (4)	12
800838	5008332X	5007593	without	1/4" PTC	1/4" NPT (3) 3/8" PTC (1)	12
801100	5009483X	5009232	without	1/4" NPT	1/4" NPT (4)	12
801330	5011075X	5011074	without	none	none	12
801324	-	5011041	without	1/4" PTC	1/4" NPT (3) 3/8" PTC (1)	24

### Reservoirs for DRM™ Dryer Reservoir Module

Service New Pc. No.	'B' Dia. Inches	'C' Length Inches	Number of Compartments	Comments	Figure
5005313N	9	53.5	2	Steel	1
5009107N	9	55.5	2	Aluminum	1
5007588	9	26	3	Steel	1
5008939N	9	29.8	2	Steel	1
5009569N	12	56.1	3	Steel	1
5011548N**	9	53.5	3	Steel	1



\*AD-IS® air dryers with a plugged port 'A' can not be interchanged with those that do not have a port in this location.

\*\*for use on vehicle with FreedomLine® transmission & has an integral 610 in³ chamber

### AD-IS® Air Dryer

Service Pc. No.	Reman. Pc. No.	Pc. No. on AD-IS® Air Dryer (Reference)	'A' Port* Plug	Primary Port	Secondary Port	Accessory Ports (Qty.)	Suspension Port	Heater Voltage (90 Watt)	Comments
800959***	5008871X	5005921	without	1/2" PTC	1/2" PTC	1/4" NPT (4)	1/4" NPT	12	GMT560-C
801147	5010133X	5010134 or 5010135	with	1/4" NPT	1/4" NPT	1/4" NPT (4)	1/4" NPT	12	Generic 12V
801164	5010211X	5010212 or 5010213	with	1/4" NPT	1/4" NPT	1/4" NPT (4)	1/4" NPT	24	Generic 24V
801266	5010696X	5010694	with	1/4" NPT	1/4" NPT	1/4" NPT (3)	1/4" NPT	12	Peterbilt
801145***	5010104X	5008296	with	1/4" NPT	1/4" NPT	1/4" NPT (4)	1/4" NPT	24	Orion Bus
-	5009347X	5008925	without	1/2" PTC	1/2" PTC	1/4" NPT (4)	1/4" NPT	12	GMT560-T
801301	5010924X	5010900	with	1/4" NPT	1/4" NPT	1/4" NPT (4)	1/4" NPT	12	DLU Operation

\*\*\*AD-IS® Air Dryer has 1/4 NPT auxiliary inlet port

### Purge Volume Reservoirs

Service New Pc. No.	'B' Dia. Inches	'C' Length Inches	Volume (Cubic Inches)	Mounting Bracket	Figure
5008781	9	3.9	200	Included	2
5009028N	9	6	300	4 Hole SAE Mtg.	3
5008574	9	3.9	200	4 Hole SAE Mtg.	3
5011292	9	3.9	200	Included	5

PTC = Push to Connect

## AD-2™ Air Dryer

- End Cover Available Remanufactured Exchange  
V.M.R.S. 13-010-033

### AD-2™ Air Dryer Field Installation Kits For Trucks

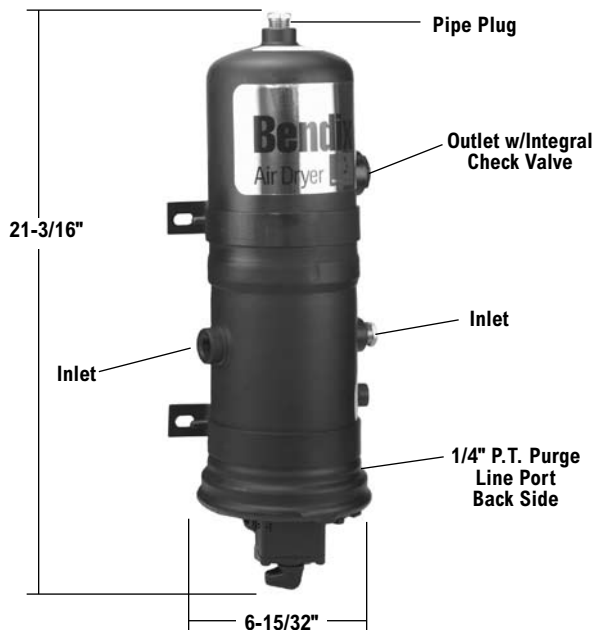
Reman. Exch. Pc. No.	Service New Pc. No.	Inlet/Outlet Size	Remarks
286934RX	286934N	1/2" P.T.	12 V.D.C. - 60 W. Heater

### End Covers

Reman. Exch. Pc. No.	Service New Pc. No.	Remarks
103253RX	-	24 V.D.C. - 120 W. Heater
286875RX	286875N	12 V.D.C. - 60 W. Heater
286876RX	286876	24 V.D.C. - 60 W. Heater

### Service/Maintenance Information Maintenance Kits:

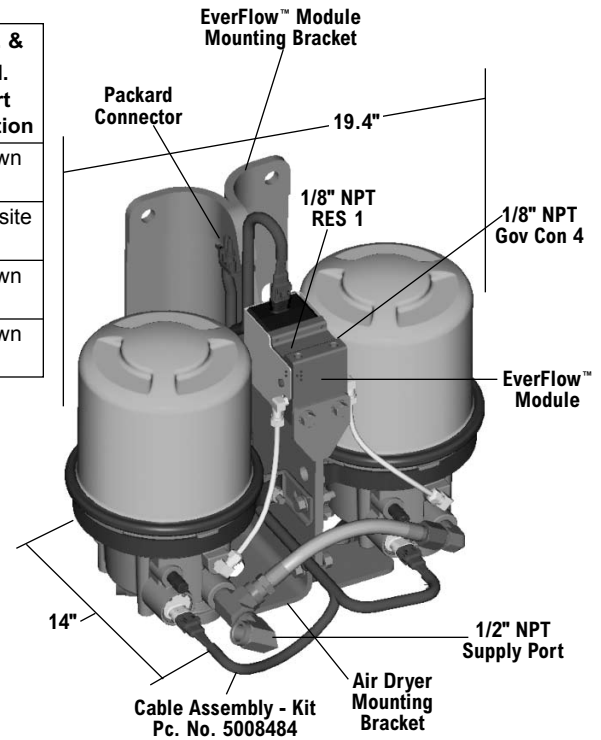
Service New Pc. No.	Description
102657N	Thermostat Maintenance Kit
286718	Desiccant Cartridge Refill Kit
287053N	Purge Valve Maintenance Kit
287298N	Check Valve Maintenance Kit
287313	Replacement Desiccant Cartridge Kit
288918	Thermostat Cover Maintenance Kit



PC. NO. 101900X IS REMFR. EXCH. DESICCANT CARTRIDGE

## EverFlow™ Module Assembly

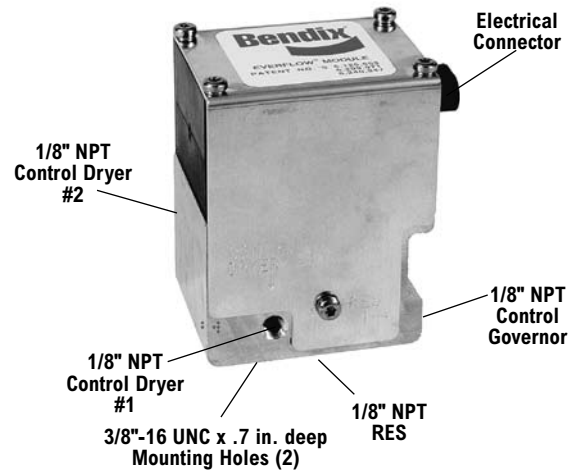
Service New Pc. No.	Voltage	Air Dryer			EverFlow™		Sup. & Del. Port Location	
		Type	Serv. Pc. No.	Reman. Exch. Pc. No.	Mtg. Brkt.	Serv. Pc. No.		Mtg. Brkt.
800801	12	AD-IP™ Air Dryer	065693	109503X	5001247	800685	5008483	Shown
801074	12	AD-IP™ Air Dryer	065693	109503X	5001247	800685	5008483	Opposite
801032	12	AD-9™ Air Dryer	065650	109689X	5009610	800685	5008483	Shown
801288	24	AD-IP™ Air Dryer	065613	109478X	5001247	800722	5008483	Shown



## EverFlow™ Air Dryer Module

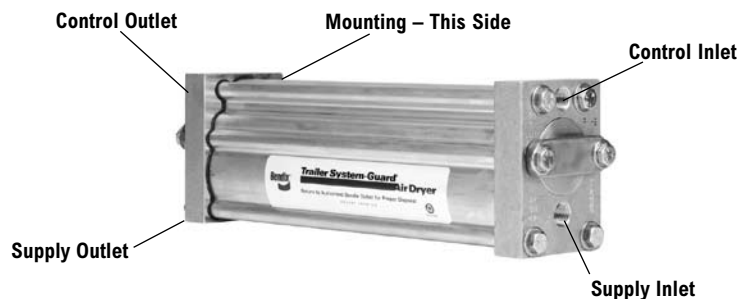
Retrofit Kit* Service New Pc. No.	Service New Pc. No.	Voltage
800684	800685	12 V
800723	800722	24 V

\*Includes EverFlow™ module & hardware  
– does not include air dryers.



## Trailer System-Guard Air Dryer

Service New Pc. No.
800765



All Supply and Control ports 1/4" NPT

## FD-1™, FD-L™ & TorqueMaster® FD-3™ Fan Clutch

V.M.R.S. 42-003-001

• Available Remanufactured Exchange

### Fan Clutch Maintenance Kits

Service New Pc. No.	Description	Type
289319N	Minor Kit	FD-1™ Fan Clutch
288907	Reline Kit	FD-1™ Fan Clutch
104937N	Minor Kit	FD-3™ Fan Clutch
104938	Reline Kit	FD-3™ Fan Clutch
104939	Rebuild Kit - Clockwise Rotation	FD-3™ Fan Clutch (Standard)
104940	Rebuild Kit - Counterclockwise Rotation	FD-3™ Fan Clutch (Standard)
104941	Rebuild Kit - Clockwise Rotation	FD-3™ Fan Clutch (2.56" Pilot)
104942	Rebuild Kit - Counterclockwise Rotation	FD-3™ Fan Clutch (2.56" Pilot)
106733	Minor Kit	FD-L™ Fan Clutch
106732	Reline Kit	FD-L™ Fan Clutch
106731	Rebuild Kit	FD-L™ Fan Clutch



FD-1™ Fan Clutch & TorqueMaster® FD-3™ Fan Clutch



FD-L™ Fan Clutch

**Caution:** Fan Bolts must not enter fan plate more than 1/2" or less than 3/8". Fan Bolts that enter the fan plate more than 5/8" will cause immediate damage to the TorqueMaster® FD-3™ Fan Clutch, FD-L™ Fan Clutch and eventual damage to the FD-1™ Fan Clutch.

### Fan Clutch Controls

#### Index Controls

Service New Pc. No.	Description
109750	Control Kit (Vehicles with Air Conditioning)
109751	Control Kit (Vehicles without Air Conditioning)



## WS-24™ Wheel Speed Sensor



90°  
BENDIX® WS-24™  
WHEEL SPEED  
SENSOR

0° (STRAIGHT)  
BENDIX® WS-24™ WHEEL  
SPEED SENSOR

### PREVIOUS BENDIX WHEEL SPEED SENSORS



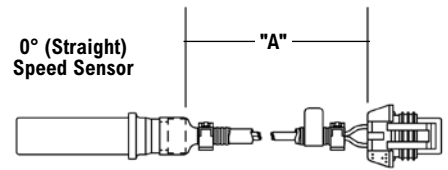
*The WS-24™ sensor fit and function is compatible with all previous Bendix wheel speed sensors.*

CLAMPING SLEEVE  
PC.NO. 801534  
INCLUDED WITH ALL  
WS-24™ SENSORS

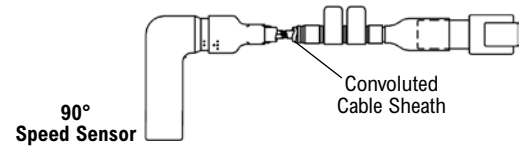


EARLY WS-20™  
CLAMPING SLEEVES  
HAVE "BW" IN A  
DIAMOND  
(CAN NOT BE USED ON  
WS-24™ SENSORS)

NEW UNIVERSAL  
CLAMPING SLEEVES  
HAVE A DYNAMARK  
SYMBOL AS SHOWN



0° (Straight)  
Speed Sensor



90°  
Speed Sensor

Convoluted  
Cable Sheath

### Standard 2-Pin Barrel Connector

Service Pc. No.	A Inches	Sensor Config.	Comments
801543	66	0°	
801542	78	0°	
801544	13	90°	Low Temperature
801539	36	90°	
801541	68	90°	
801538	75	90°	

### Packard Metripack GT 150 Series Connector

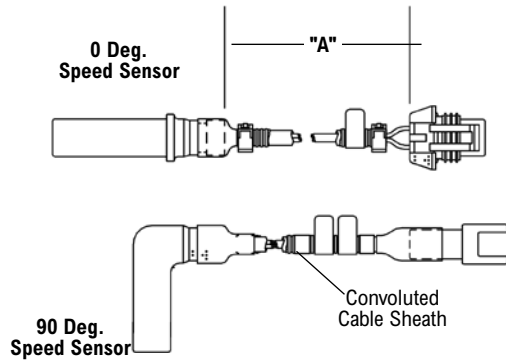
Service Pc. No.	A Inches	Sensor Config.	Comments
801555	34	0°	Convoluted Cable Sheath
802805	40	0°	Convoluted Cable Sheath
801556	43	0°	Convoluted Cable Sheath
801554	51	0°	Convoluted Cable Sheath
801558	37	90°	Convoluted Cable Sheath

### Metripack 280 Series Connector

Service Pc. No.	A Inches	Sensor Config.	Fig.	Comments
801562	62	0°	A	Convoluted Cable Sheath
801830	62	0°	B	Convoluted Cable Sheath
802873	88	0°	B	
5016412	98	0°	A	
5016798	139	0°	A	
801560	62	90°	A	Convoluted Cable Sheath
801561	62	90°	B	Convoluted Cable Sheath
5016411	139	90°	A	

### Metripack 150 Series Connector

Service Pc. No.	A Inches	Sensor Config.	Comments
801567	63	0°	
801566	88	90°	Convoluted Cable Sheath
801559	85	90°	Convoluted Cable Sheath



### Deutsch DT04-2P Connector

NOTE:  
Deutsch Model Number "DT04-2P" Molded Into  
Connector Body

Service Pc. No.	A Inches	Sensor Config.	Comments
801553	40	0°	
801552	75	0°	
801565	103	0°	
801551	40	90°	
801549	60	90°	
801550	75	90°	
801836	103	90°	



### Deutsch DTM06-2S Connector

NOTE: Deutsch Model Number  
"DTM06-2S" Molded Into  
Connector Body

Service Pc. No.	A Inches	Sensor Config.	Comments
801563	60	0°	
5016413	104	0°	
801548	48	90°	
801546	60	90°	
801564	75	90°	Convolute Cable Sheath
801545	103	90°	
801547	137	90°	



### WS-20™ to WS-24™ Wheel Speed Sensor Changeover

Pc. No.	Service Pc. No.
065279.....	5016411
065280.....	5016798
065301.....	801549
065310.....	801552
065323.....	801549
065324.....	801550
065325.....	801836
065357.....	801560
065362.....	801565
065363.....	801562
065368.....	801549
065414.....	801552
065456.....	802873
065459.....	5016412
065472.....	801830
065473.....	801567
065502.....	801552
065517.....	801566
065518.....	801566
065528.....	801551
065640.....	801543
065659.....	801560
065703.....	801538
065704.....	N/A
065705.....	801541
065711.....	801543
300083.....	801544
300084.....	801538
300085.....	801539
300086.....	801539
300087.....	801542
300150.....	801541
300151.....	801543
300171.....	801543
300283.....	N/A
550285.....	5016411
550286.....	N/A
550335.....	801549
550341.....	801552
550384.....	801549
550385.....	801550
550386.....	801836
550387.....	801538
550395.....	N/A
550437.....	801560
550440.....	801565
550441.....	801562
550442.....	801549
550485.....	801830
550486.....	5016412
550487.....	N/A
550532.....	801541
550534.....	801552
550607.....	801830
550610.....	801567
550656.....	801566

### WS-20™ to WS-24™ Wheel Speed Sensor Changeover

Pc. No.	Service Pc. No.
550657.....	801566
550686.....	801552
550715.....	801551
550759.....	801543
550767.....	801560
550796.....	801543
800055.....	801551
800109.....	801541
800110.....	801538
800111.....	801543
800132.....	801546
800133.....	801545
800134.....	801547
800160.....	801563
800161.....	801548
800197.....	801563
800198.....	801548
800199.....	801546
800200.....	801548
800201.....	801564
800306.....	801563
800308.....	801541
800343.....	801563
800344.....	801546
800356.....	801564
800442.....	801548
800488.....	801564
800489.....	801548
800542.....	801563
800543.....	5016413
800544.....	801563
800592.....	801563
800593.....	801546
800614.....	801563
800655.....	801546
800668.....	801567
800669.....	801567
800688.....	801567
800689.....	801545
800690.....	801548
800708.....	801564
800716.....	801550
800729.....	801560
800730.....	801561
800791.....	801552
800792.....	801565
800793.....	801552
800812.....	N/A
800813.....	801541
801090.....	801554
801091.....	801554
801092.....	801556
801093.....	801555
801094.....	801559
801095.....	801559
801096.....	801558

### WS-20™ to WS-24™ Wheel Speed Sensor Changeover

Pc. No.	Service Pc. No.
801175.....	801553
801251.....	801556
801252.....	801558
801383.....	801545
801396.....	801546
801397.....	801547
801398.....	801548
801399.....	N/A
801467.....	801556
801538.....	801538
801539.....	801539
801540.....	801539
801541.....	801541
801542.....	801542
801543.....	801543
801544.....	801544
801545.....	801545
801546.....	801546
801547.....	801547
801548.....	801548
801549.....	801549
801550.....	801550
801551.....	801551
801552.....	801552
801553.....	801553
801554.....	801554
801555.....	801555
801556.....	801556
801558.....	801558
801559.....	801559
801560.....	801560
801561.....	801561
801562.....	801562
801563.....	801563
801564.....	801564
801565.....	801565
801566.....	801566
801567.....	801567
801830.....	801830
801836.....	801836
802175.....	N/A
802176.....	N/A
802805.....	802805
5000530.....	801551
5000795.....	801566
5000796.....	801566
5000889.....	801546
5000890.....	801548
5000891.....	801564
5000892.....	801545
5001063.....	801541
5001064.....	801538
5001066.....	801543
5001167.....	801546
5001168.....	801545
5001243.....	801547

### WS-20™ to WS-24™ Wheel Speed Sensor Changeover

Pc. No.	Service Pc. No.
5001325.....	801563
5001326.....	801548
5001327.....	801546
5001328.....	801548
5001663.....	801552
5001667.....	801548
5001694.....	801563
5001695.....	801548
5002037.....	801564
5003067.....	801563
5003100.....	801541
5003607.....	801563
5003608.....	801546
5004084.....	801563
5004459.....	801548
5004602.....	801548
5004719.....	801566
5005223.....	801563
5005224.....	5016413
5005225.....	801563
5005706.....	801563
5005707.....	801546
5006177.....	801563
5006663.....	801567
5006664.....	801567
5006809.....	801543
5006810.....	801541
5006828.....	801546
5007217.....	801560
5007218.....	801561
5007249.....	801564
5007339.....	801550
5007842.....	801552
5007843.....	801565
5007844.....	801552
5008455.....	801544
5009120.....	801554
5009121.....	801554
5009122.....	801556
5009123.....	801555
5009124.....	801559
5009125.....	801559
5009126.....	801558
5009349.....	801538
5010110.....	801543
5010403.....	801553
5010644.....	801556
5010647.....	801558
5011303.....	801559
5011304.....	801559
5011677.....	801545
5011723.....	801546
5011724.....	801547
5011725.....	801548
5011726.....	N/A
5012266.....	801549

### WS-20™ to WS-24™ Wheel Speed Sensor Changeover

Pc. No.	Service Pc. No.
5012267.....	801550
5012268.....	801551
5012269.....	801552
5012270.....	801553
5012271.....	801554
5012273.....	801555
5012274.....	801556
5012275.....	N/A
5012276.....	801558
5012277.....	801559
5012503.....	801556
5012843.....	801556
5012844.....	801561
5012845.....	801562
5012846.....	801563
5012847.....	801564
5012848.....	801565
5012849.....	801566
5012850.....	801567
5012952.....	N/A
5012953.....	N/A
5013471.....	801830
5014500.....	801836
5015958.....	N/A
5015959.....	N/A
5018546.....	802805
300083N.....	801544
300084N.....	801538
300085N.....	801539
300087N.....	801542
300150N.....	801541
300151N.....	801543
5012271N.....	801554
5012277N.....	801559

## EC-30™ Controller



Diagnostic Window

Service New Pc. No.	Traction Control <sup>1</sup>	Sensors Modulators <sup>2</sup>	Communication Protocol	Blink Code <sup>3</sup>	Power Line Carrier	Comment
801166	EL, DB	4 X 4	J1587, J1939			
801167	EL, DB	4 X 4	J1587, J1939		Y	
801173	EL, DB	6 X 4	J1587, J1939	Y	Y	
801174	EL, DB	6 X 4	J1587, J1939	Y		
801176	EL, DB	4 X 4	J1587, J1939			
801177	EL, DB	4 X 4	J1587, J1939		Y	
801178	EL, DB	4 X 4	J1587, J1939	Y		
801179	EL, DB	4 X 4	J1587, J1939	Y	Y	
801180	EL, DB	6 X 4	J1587, J1939	Y	Y	
801181	EL, DB	6 X 4	J1587, J1939	Y		
801197	NONE	4 X 4	J1587, J1939	Y	Y	
801198	NONE	4 X 4	J1587, J1939	Y	Y	86 TOOTH
801199	DB	6 X 4	J1587, J1939	Y	Y	W/BRKT.
801200	DB	4 X 4	J1587, J1939	Y	Y	W/BRKT.
801201	NONE	4 X 4	J1587, J1939	Y	Y	W/BRKT.
801202	DB	6 X 4	J1587, J1939	Y	Y	
801203	DB	4 X 4	J1587, J1939	Y	Y	
801204	NONE	4 X 4	J1587, J1939	Y	Y	
801205	NONE	4 X 4	J1587, J1939	Y		
801206	NONE	4 X 4	J1587, J1939	Y		86 TOOTH
801207	DB	6 X 4	J1587, J1939	Y		W/BRKT.
801208	DB	4 X 4	J1587, J1939	Y		W/BRKT.
801209	NONE	4 X 4	J1587, J1939	Y		W/BRKT.
801210	DB	6 X 4	J1587, J1939	Y		
801211	DB	4 X 4	J1587, J1939	Y		
801212	NONE	4 X 4	J1587, J1939	Y		
801225	EL, DB	6 X 4	J1587, J1939	Y		
801226	EL, DB	6 X 4	J1587, J1939	Y		W/BRKT.
801227	EL, DB	6 X 4	J1587, J1939	Y	Y	
801228	EL, DB	6 X 4	J1587, J1939	Y	Y	W/BRKT.
801233	EL, DB	6 X 4	J1587, J1939, J1922	Y		
801234	EL, DB	6 X 4	J1587, J1939, J1922	Y		86 TOOTH
801235	EL, DB	6 X 4	J1587, J1939, J1922	Y		
801236	EL, DB	6 X 4	J1587, J1939, J1922	Y		
801237	NONE	4 X 4	J1587, J1939	Y		
801238	NONE	4 X 4	J1587, J1939	Y	Y	
801239	EL, DB	6 X 4	J1587, J1939	Y	Y	
801333	NONE	4 X 4	J1587, J1939	Y		
801334	EL, DB	6 X 4	J1587, J1939	Y	Y	
801335	EL, DB	6 x 4	J1587, J1939	Y		

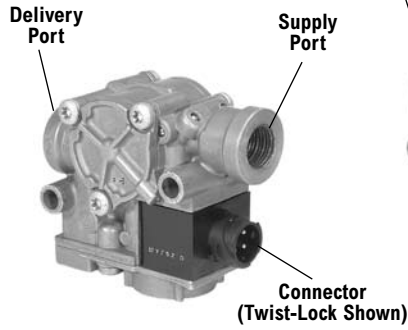
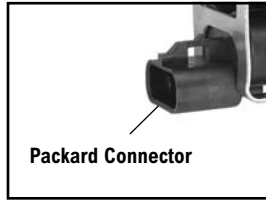
Note 1: "EL" = Engine Limiting feature - "DB" = Differential Braking feature.

Note 2: Number of Speed Sensors presented first Modulators second.

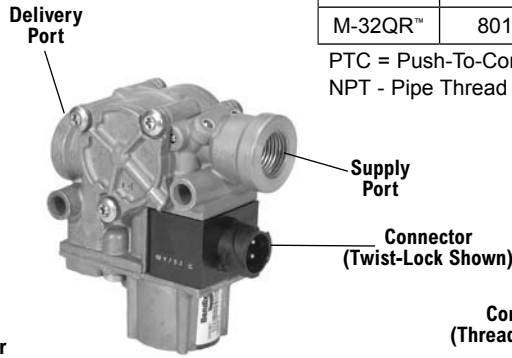
Note 3: Blink Code for troubleshooting is programmed into controller.

## M-32™ and M-32QR™ AntiLock Modulators

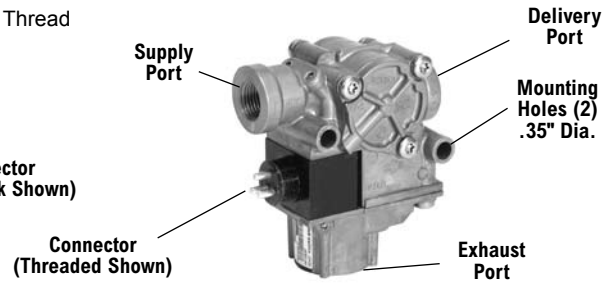
V.M.R.S. 13-011-071



M-32QR™ Modulator



M-32™ Modulator



M-30™ Modulator  
(Superseded by the  
M-32™ and M-32QR™ modulators)

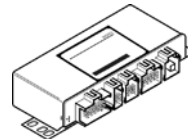
AntiLock Modulator Service Pc. Nos.

Type	Service New Pc. No.	Supply Port	Delivery Port	Connector
M-32™	801665	1/2" NPT	1/2" NPT	12 V Twist-Lock
M-32™	801585	1/2" NPT	1/2" NPT	12 V Packard
M-32™	801736	1/2" NPT	1/2" NPT	24 V Threaded
M-32™	801737	1/2" NPT	1/2" NPT	24 V Threaded
M-32QR™	801479	1/2" PTC	1/2" PTC	12 V Packard
M-32QR™	801481	1/2" NPT	1/2" NPT	12 V Packard
M-32QR™	801482	1/2" NPT	1/2" NPT	12 V Twist-Lock
M-32QR™	801967	3/8" NPT	1/2" NPT	12 V Twist-Lock

PTC = Push-To-Connect  
NPT - Pipe Thread

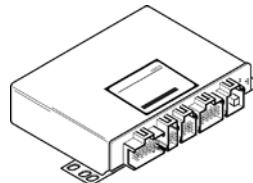
## Truck, Bus, Coach

**Basic Gen 5™ Control Unit  
With Power Line Carrier (PLC)**  
4-Channel ABS only, No Engine Data Link,  
Retarder Control via Relay. . . . . 300342N



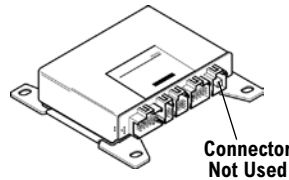
**Basic Gen 4™ Control Unit**  
4-Channel ABS Only, No Engine Data Link,  
Basic Flanges, Retarder Control via Relay . . . . 300222N

**Standard Gen 5™ Control Unit  
With Power Line Carrier (PLC)**  
6-Channel ABS/ATC, J1939. . . . . 300344N  
6-S/6-M, ATC, Retarder Control via Data  
Link, J1939 (Special Order) . . . . . 300366  
4-S/4M, ATC, Retarder Control via Data  
Link, J1939 (Special Order) . . . . . 801766

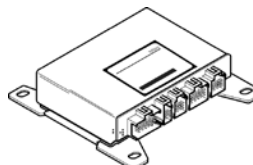


**Standard Gen 4™ Control Unit**  
4-Channel ABS/ATC, J1922. . . . . 801802  
4-Channel ABS/ATC, J1939. . . . . 300410N

**Changeover:**  
Previous model 300325 is replaced by 300410N  
Previous model 300143 is replaced by 300410N  
Previous model 300209 is replaced by 801802



**Standard Gen 4™ Control Unit**  
6-Channel ABS/ATC, J1922. . . . . 300126N



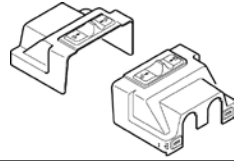
NOTE: Formerly marketed under the Eaton® brand name

## Truck, Bus, Coach

V.M.R.S. 13-011-069

### Basic Gen 5™ Control Unit With Power Line Carrier (PLC)

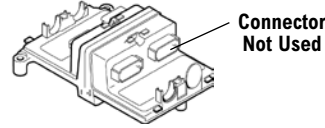
4-Channel ABS only, No Engine Data Link . . . . 300343N



### Basic Gen 4™ Control Unit

4-Channel ABS/ATC, J1922 . . . . . 300199N

4-Channel ABS/ATC, J1939 . . . . . 300208N

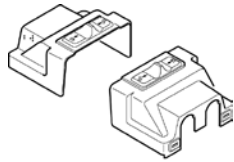


### Standard Gen 5™ Control Unit With Power Line Carrier (PLC)

6-Channel ABS/ATC, J1939 . . . . . 300345N

6-S/6-M, ATC, Retarder Control via Data Link,  
J1939 (Special Order) . . . . . 801757

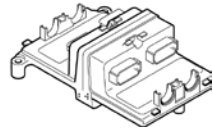
4-S/4M, ATC, Retarder Control via Data Link,  
J1939 (Special Order) . . . . . 300367N



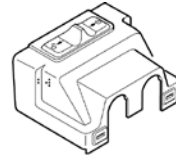
### Standard Gen 4™ Control Unit

6-Channel ABS/ATC, J1939 . . . . . 300345N

6-Channel ABS/ATC, J1939, 24 volt (Military) . . 300130N



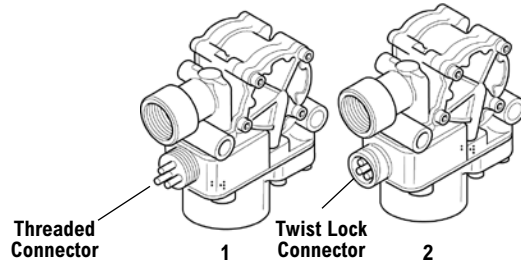
Replacement Cover . . . . . 300271N



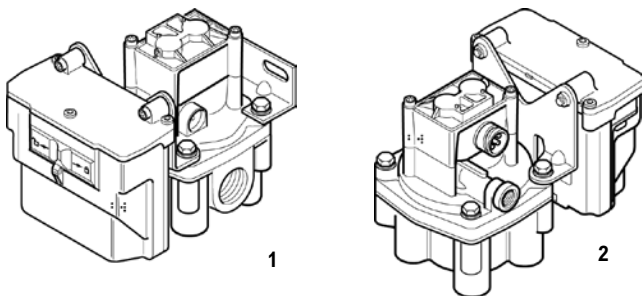
### Pressure Modulator Valves

(Fig. 1) 12 volt, Threaded, Metric-Threaded Ports . . 801757

(Fig. 2) 12 volt, Twist-lock, NPT-Threaded Ports . . 300387N



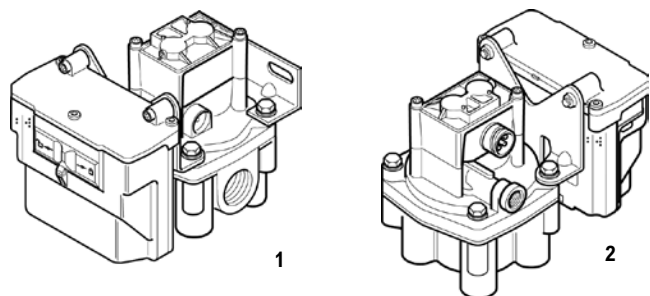
### Basic Trailer ABS



(1) Relay Valve with Gen 5™ Control Unit ECU (300340N),  
(PLC), 4.0 PSIG Crack Pressure, 4 Delivery Ports.  
Frame-mounted with Bracket . . . . . 300358N

(2) Relay Valve with Gen 5™ Control Unit ECU (300340N),  
(PLC), 4.0 PSIG Crack Pressure, 4 Delivery Ports.  
3/4 NPT Tank-mounted . . . . . 300360N

### Standard Trailer ABS



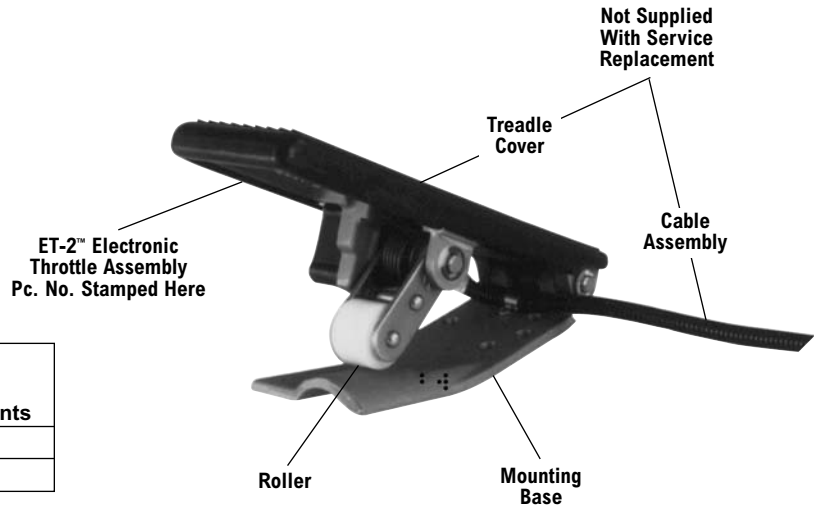
(1) Relay Valve with Gen 5™ Control Unit ECU (300341N),  
(PLC), 4.0 PSIG Crack Pressure, 4 Delivery Ports.  
Frame-mounted with Bracket . . . . . 300362N

(2) Relay Valve with Gen 5™ Control Unit ECU (300341N),  
(PLC), 4.0 PSIG Crack Pressure, 4 Delivery Ports.  
3/4 NPT Tank-mounted . . . . . 300364N

## ET-2™ Electronic Throttle

- Pivot Pin Kit 550392
- Lever Shaft Spring Kit 550393

V.M.R.S. No. 44-007-047

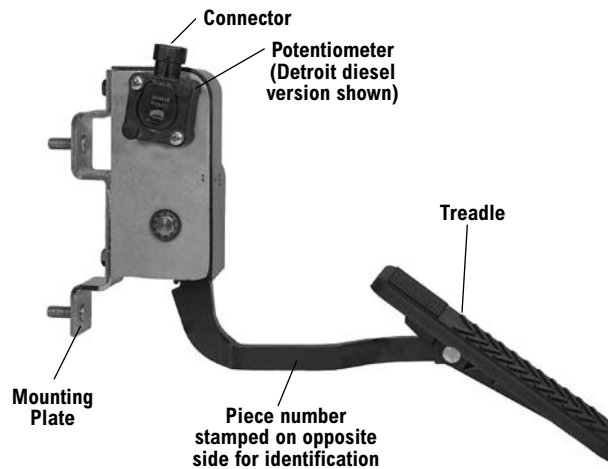


Service New Pc. No.	O.E. Pc. No.	Minor Rebuild Kit	Comments
065151	550200	550394	
065290	550305	550394	Ford

## ET-S2™ Electronic Treadle

V.M.R.S. No. 44-007-047

Service New Piece No.	Treadle & Spring Kit	Potentiometer Replacement Kit
800606	5006085	5002356 (Cummins)
800607	5006085	5006086 (DDC)
800608	5006085	5010163 (Caterpillar)



XVision® System Retrofit Kit, Service Piece No. 5010086 consists of the following:

Description	Service New Piece No.
Camera Bracket Kit	5010078
CB Mounting Kit	5010081
Friction Hinge Mounting Kit	5010082
Fixed IR Harness Kit	5010083
Aiming Adjuster Tool	-
Fixed Camera/Head-Up Display Combination	-

## Camera Service Kits

### Fixed IR Camera Kits

Description	Service New Piece No.
Camera Bracket Kit	5010078
Mounting Bracket Kit	5010187
Aiming Adjuster Replacement Kit	801639
Heater Replacement Kit	5010193
Window Replacement Kit	5010192
IR Camera	801150
IR Camera Kit	801489
IR Camera Cover Kit	801469

### Raytheon 4000B ProtectIR Pan & Tilt Camera Kits

Description	Service New Piece No.
Raytheon 4000B ProtectIR Camera Kit	801508
Side/Rear Vision Camera & Harness Kit	801495



## Vision System Kit Configurations

Service New Piece No.	Camera(s)	Display(s)
5010086N	Fixed IR	HUD
801498	Raytheon, Side/Rear	Flat Panel
801499	Raytheon	Flat Panel
801500	Fixed IR	Flat Panel
801501	Fixed IR	Flat Panel, HUD
801502	Side/Rear	Flat Panel
801503	Fixed IR, Side/Rear	Flat Panel
801504	Raytheon	Flat Panel, HUD
801505	Raytheon, Side/Rear	Flat Panel, HUD

## Head-Up Display Service Kits

Description	Service New Piece No.
Video Display	801154
HUD with CB Mounting Kit	801490
HUD Overhead Mounting Kit	801497
Fold Mirror Replacement Kit	5010189
Combiner Mirror Replacement Kit	5010190
CB Mounting Kit	5010081
Knob Kit	5010247
Friction Hinge Mounting Kit	5010082
Screw and Shim Kit	5010249
Magnet Kit	5010524

## Flat Panel Display Mounting Kits

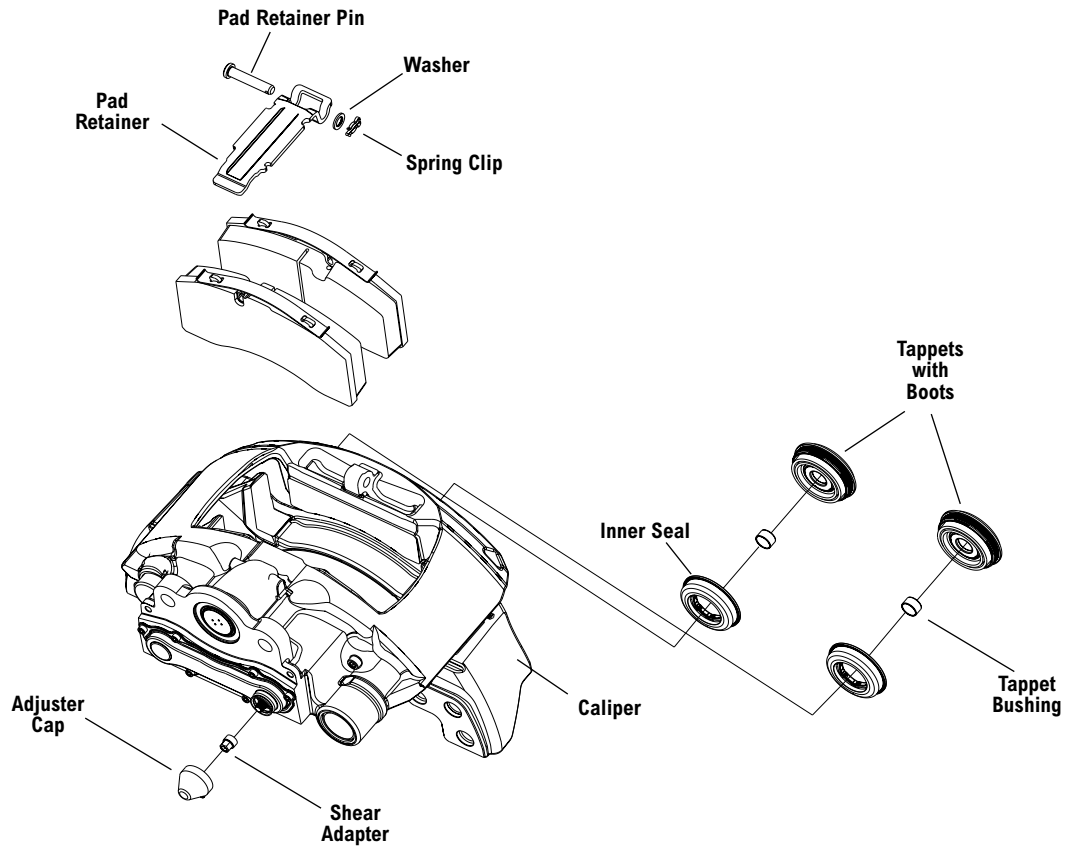
Description	Service New Piece No.
Fixed Mounting Bracket Kit	801491
Fold Back Mounting Bracket Kit	801492
Fold Forward Mounting Bracket Kit	801493
Pivot Mounting Bracket Kit	801494

## Flat Panel Display Service Kit

Description	Service New Piece No.
6.8" Flat Panel Display Installation Kit	801486



## Bendix® ADB 22X™ Air Disc Brakes



### Pad Kits

Pad set (Replacement for ADB22X) . . . . . 802078

### Rotors

Rotor, U-shaped, 138mm overall length . . . . . 802081  
 Rotor, U-shaped, 150mm overall length . . . . . 802082  
 Rotor, Spline Disc . . . . . 802083

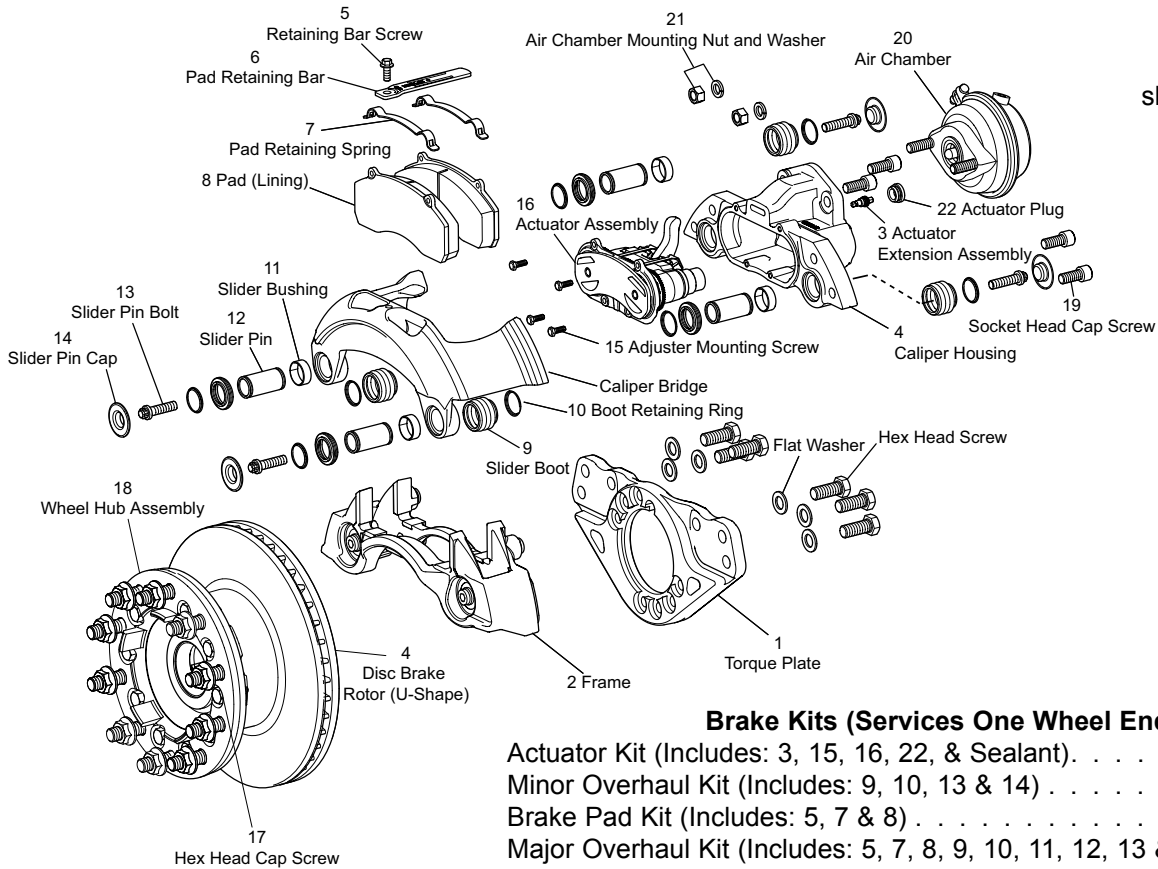
### Components

Tappet/Boot and Inner Seal Wheel End Kit . . . . . 802119  
 Adjuster Cap, box of 10 . . . . . 802456  
 Shear Adapter, box of 10 . . . . . 802455  
 White grease (5g) . . . . . II14525

### Tools

Wedged Fork Tool for Tappet/Boot . . . . . II32202  
 Installation Tool for Tappet/Boot . . . . . II19252  
 Installation Tool for Inner Seal . . . . . II19253  
 Complete Tool Kit (set includes  
 video and service manual) . . . . . II37951004

## Bendix® ESD 225™ Air Disc Brakes



### Brake Kits (Services One Wheel End)

Actuator Kit (Includes: 3, 15, 16, 22, & Sealant) . . . . .	328864
Minor Overhaul Kit (Includes: 9, 10, 13 & 14) . . . . .	328865
Brake Pad Kit (Includes: 5, 7 & 8) . . . . .	328863
Major Overhaul Kit (Includes: 5, 7, 8, 9, 10, 11, 12, 13 & 14) . . . . .	328862

## Bendix® ADB SB-7™ Series

### Pads

Pad set (Replacement for I1339760062) . . . . . I1180220062

### Rotors

Rotor, 12mm, front and tag axle (Prevost & Pierce) . . . . . I137415N  
 Rotor, 12mm, drive axle (Prevost) . . . . . I137986

### Grease

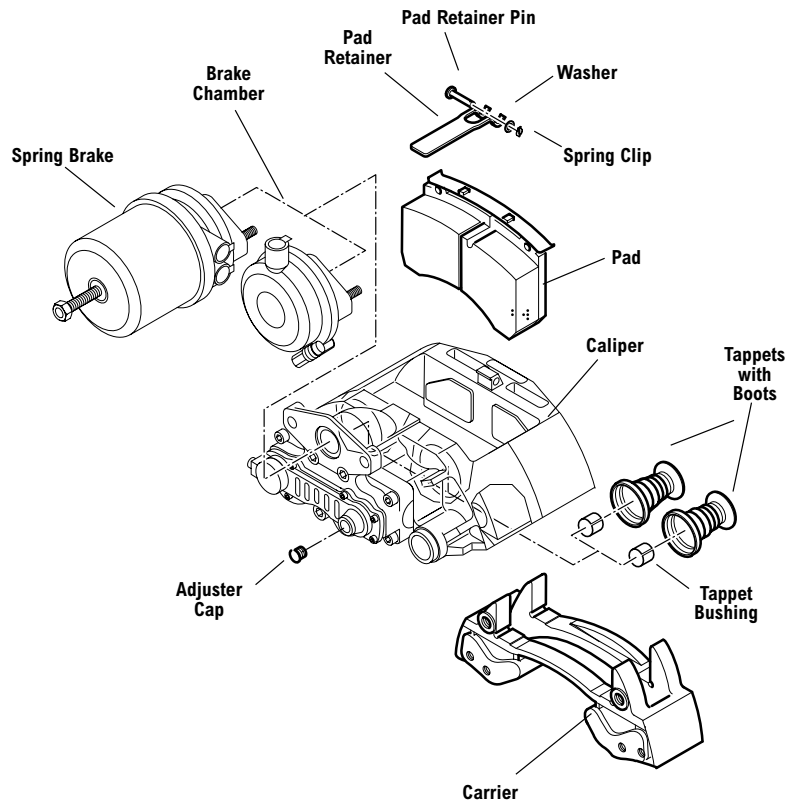
White (5g) for brass bushing . . . . . I114525

### Tools

Tool Kit (set includes video and service manual) . . . . . I137951004  
 Tool Fork for Bellow Cap . . . . . I132202

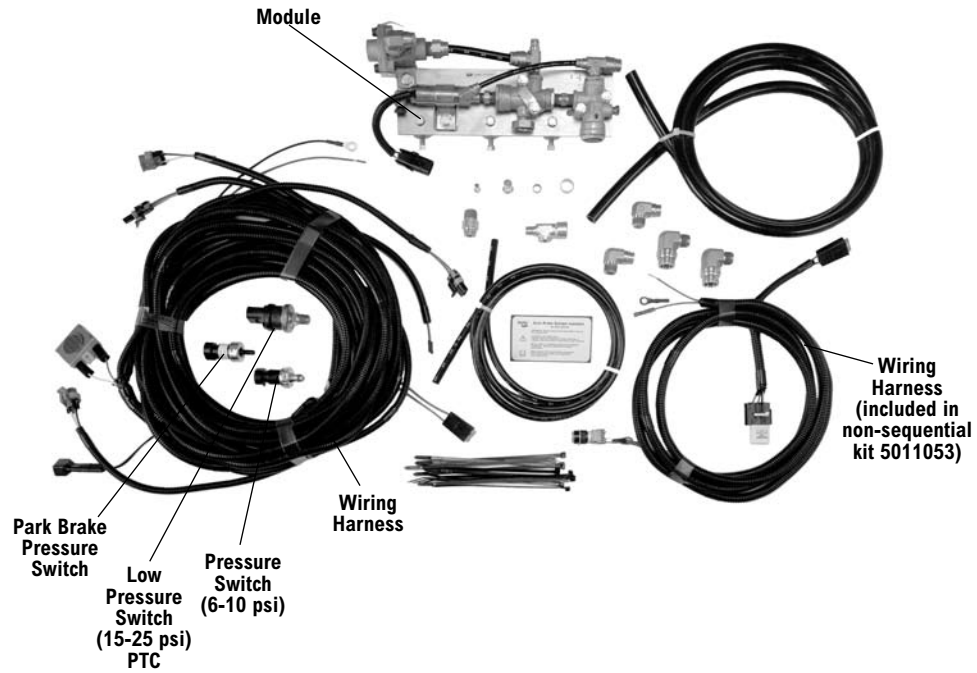
### Kits and Misc. Parts

Adjuster caps (4 pcs.) . . . . . K945  
 Tappets with Boots . . . . . I1304130065



**SBI-1™ Autobrake Retrofit Kits**

Pc. No.	Comments
5011053	For Buses w/non-sequential lighting
5008285	For Buses w/sequential lighting



<b>Audio Visual Programs</b>			
Form	Description	Cost \$ Per Item	Format
<b>AIR BRAKE SYSTEMS</b>			
BW1673	Four-part Video System Training with Workbooks	30.00	VHS/Book
BW1678	Workbook for BW1673	2.00	Book
BW1957	Four-part Video only	15.00	VHS
<b>Brochures &amp; Product Sheets</b>			
<b>Actuating Devices</b>			
BW2116	Spring Brake	0	Product Sheet
<b>Air Dryers</b>			
BW2023	AD-IP™ System-Guard® Air Dryer	0	Product Sheet
BW2076	EverFlow™ Air Dryer Control Module	0	Product Sheet
BW2088	AD-9™ System-Guard® Air Dryer	0	Product Sheet
BW2213	AD-IS® Air Dryer	0	Product Sheet
<b>Air Disc Brakes</b>			
BW2015	Air Disc Brakes	0	Brochure
<b>AntiLock</b>			
BW2019	Truck/Tractor/Bus AntiLock Braking Systems	0	Product Sheet
BW2020	Trailer AntiLock Braking Systems	0	Product Sheet
<b>Hydraulics</b>			
BW1399	Troubleshooting the Vacuum Hydraulic Brake System	.10	Brochure
<b>Modules</b>			
BW2096	Dryer Reservoir Module	0	Product Sheet
BW2132	Autobrake Product Sheet	0	Product Sheet
<b>Slack Adjusters</b>			
BW1268	ASA-5™ Automatic Slack Adjuster	0	Brochure
BW1641	ASA-5™ Installation Template	0	Template
BW2216	SureStroke™	0	Product Sheet
<b>Valves</b>			
BW2047	Genuine Bendix Valves	0	Product Sheet
BW2197	BVA-85™	0	Product Sheet
BW2215	Coreless™ Valves	0	Product Sheet
<b>Vision</b>			
BW2245	Vision	0	Brochure
BW2246	Vision	0	Product Sheet
<b>Miscellaneous</b>			
BW2272	1-800-Air Brake Card	0	Card
<b>Catalogs/Service Manuals/CDs</b>			
BW1114	Quick Reference	0	Catalog
BW1115	Quick Reference - Spanish	0	Catalog
BW1116	Quick Reference - French	0	Catalog
BW1419	FMSI Book	1.25	Catalog
BW2231	Truck Products Catalog	0	Catalog
BW9100	Air Parts Catalog Only	10.00	Catalog
BW9200	Hydraulic Parts Catalog Only	10.00	Catalog
<b>Service Information</b>			
BW2031	Service Manual - CD	5.00	CD
BW5057	Air Brake Handbook	0	Handbook
BW9600	Service Data Manual Complete	15.00	SD
<b>Binders</b>			
BW1532	Empty Binder for Catalog, Service Manual & Bulletins	5.00	Catalog



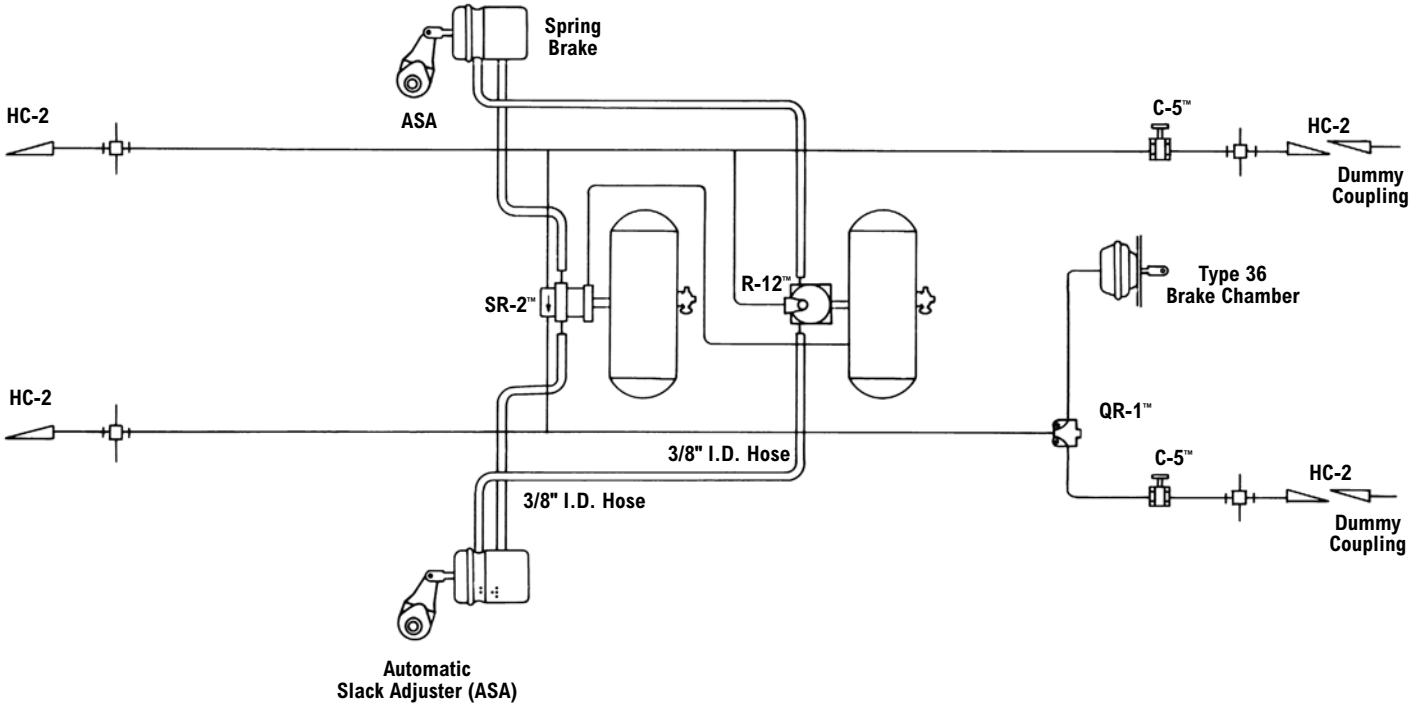
# Sales Promotions and Training Materials

Form	Description	Cost \$ Per Item	Format
<b>Troubleshooting Cards &amp; Wall Charts</b>			
<b>Systems-Air</b>			
BW902	Bus System Wall Chart	.75	Wall Chart
BW1555	Air Pressure Balance Test	0	Card
BW1231	Dual Systems Wallchart	1.00	Card
BW1396	Dual Systems Troubleshooting Card	0	Card
BW1397	Coach w/DD-3™ Park System & Coach w/Spring Brake Park System	0	Card
BW1779	Troubleshooting Charging & Air Supply Systems	.05	Card
<b>Systems-Hydraulic</b>			
BW1398	Vacuum Hydraulic Wall Chart	.75	Wall Chart
BW1611	Power Hyd. Brake Systems Wall Chart	.75	Wall Chart
BW1705	Hydraulic Brake Booster System Card w/Troubleshooting	.75	Card
<b>AntiLock</b>			
BW1742	MC-12™ Trailer AntiLock System Troubleshooting Card	.05	Card
BW1959	MC-12™ Trailer ABS - Troubleshooting Card	.05	Card
BW1982	EC-17™ Troubleshooting Card	.05	Card
BW2175	EC-30™ Troubleshooting Card	.05	Card
BW2187	MC-30™ Troubleshooting Card	0	Card
<b>Cores</b>			
BW1299	Core Group	0	Wall Chart
BW1330	Mini Core Chart	0	Wall Chart

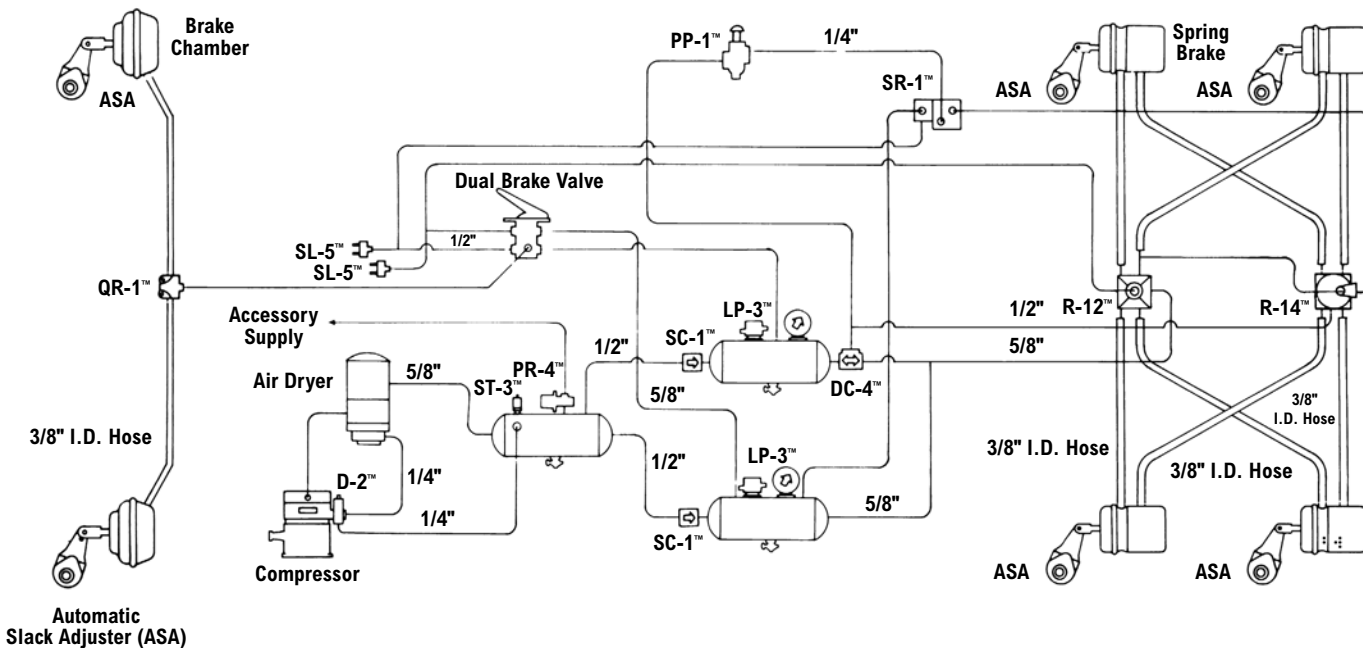
Note: Cost \$ = cost per each item.  
Items must be ordered in multiples of the package quantity shown.

For additional product and literature information, visit the Literature Center on our web site at <http://www.Bendix.com>

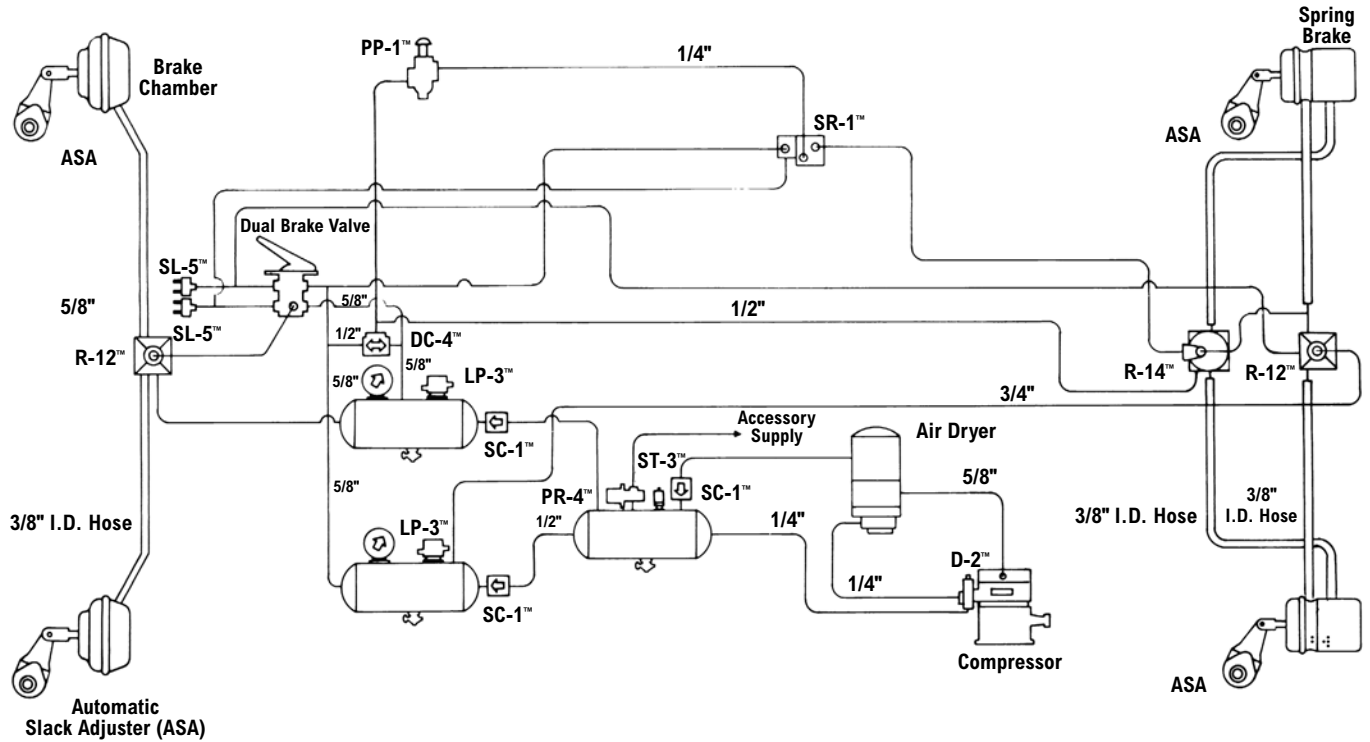
## TWO WHEEL TOWING TRAILER



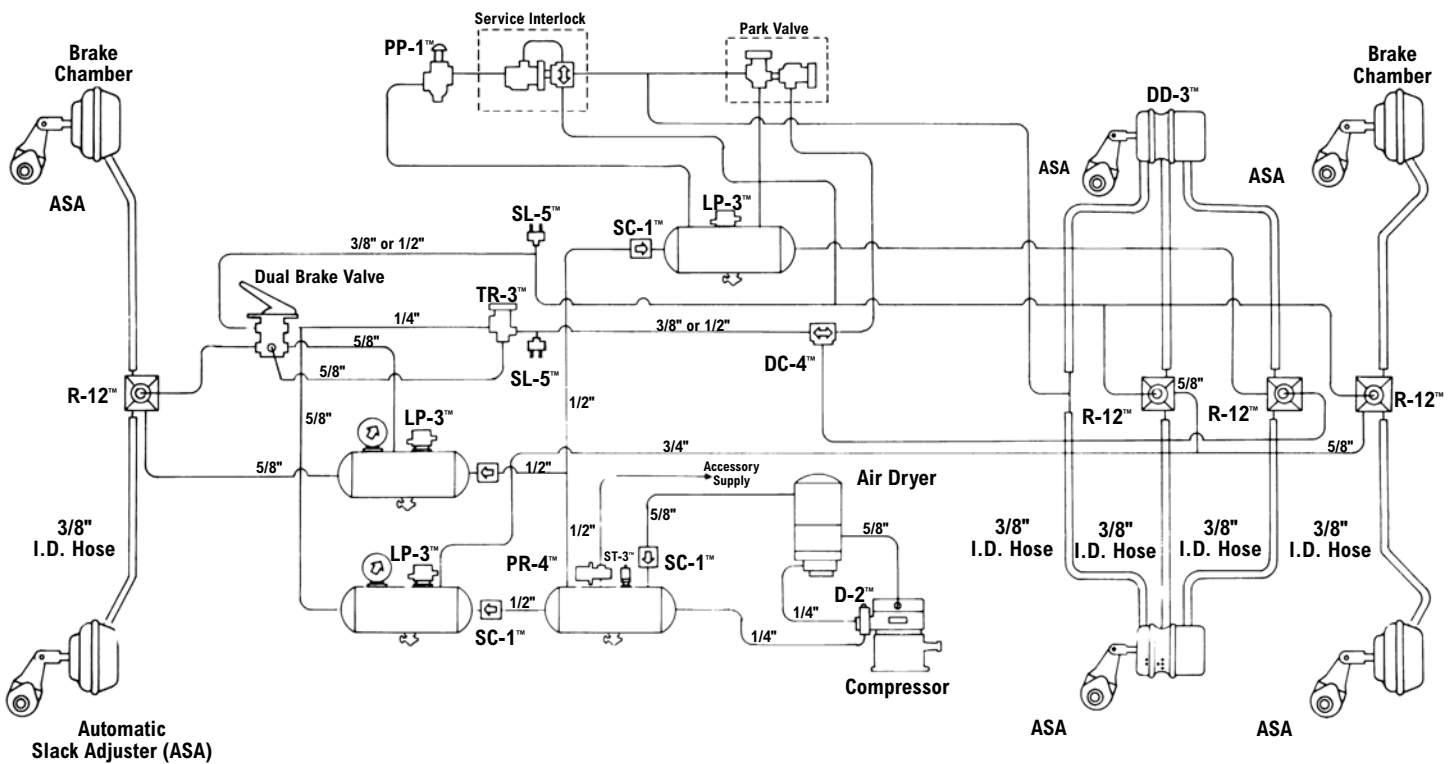
## SIX WHEEL TRUCK



## SCHOOL BUS



## COACH (TAG AXLE) WITH A TWO STEP PARKING BRAKE RELEASE (DD-3™)

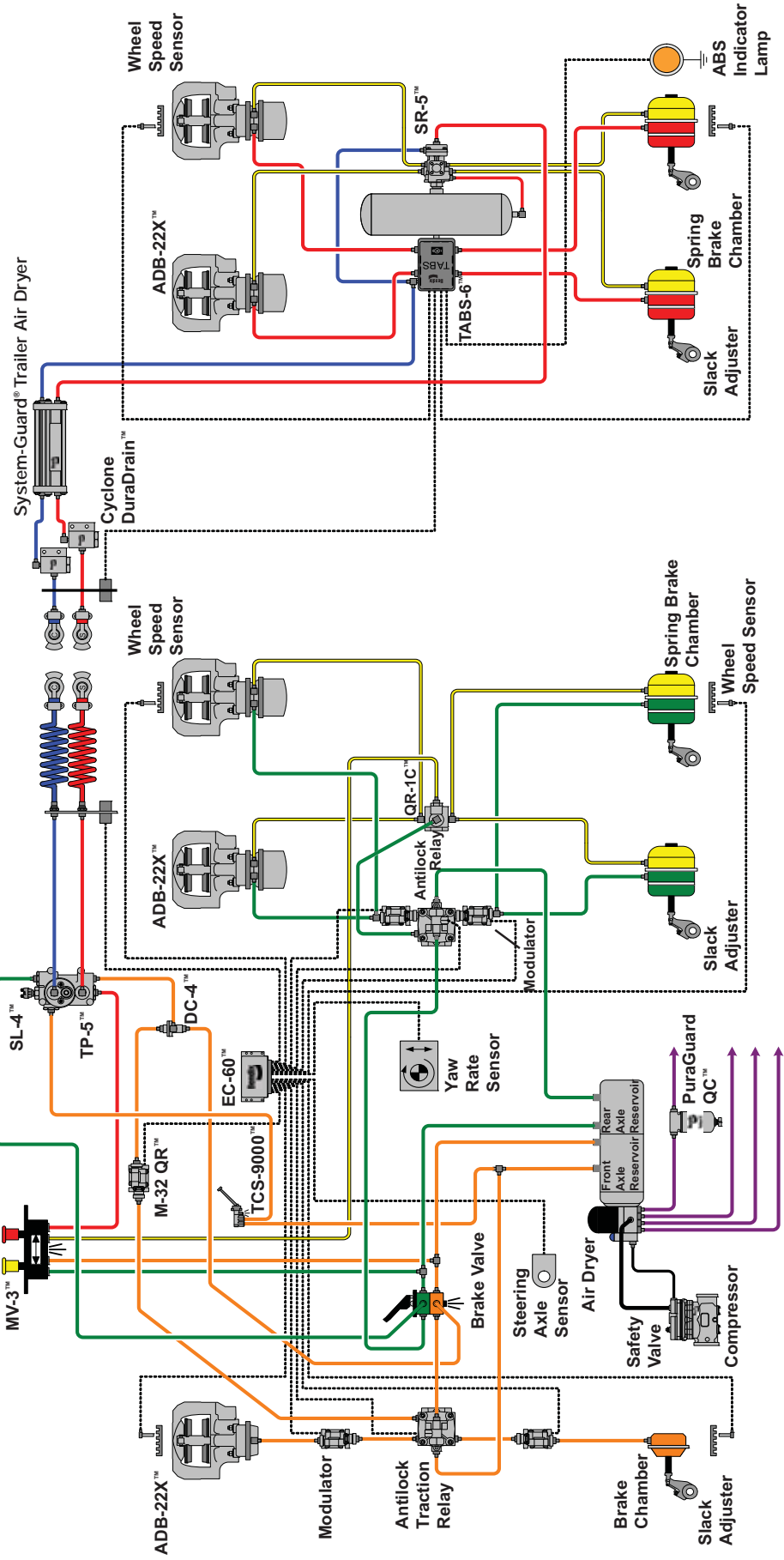






# TRUCK/TRACTOR SYSTEM

# TRAILER SYSTEM



Air disc & drum brakes combined on a single axle are shown for pictorial purposes only.

----- Indicates electrical connection

## TRUCKS AND TRUCK TRACTORS:

- Charging
- Primary
- Secondary
- Park (Supply)
- Parking (Control)

## TRAILERS:

- Trailer (Supply)
- Trailer (Control)
- Trailer (Park)



1-800-AIR-BRAKE



Service Plants

U.S.A.  
Huntington  
1850 Riverfork Drive West  
Huntington, IN 46750  
260.356.9720

Sparks  
1095 Spice Island Drive  
Suite 101  
Sparks, NV 89431  
775.353.4255

Canada  
8851 4e Croissant  
Anjou, Quebec  
H1J 1A9  
514.323.0303